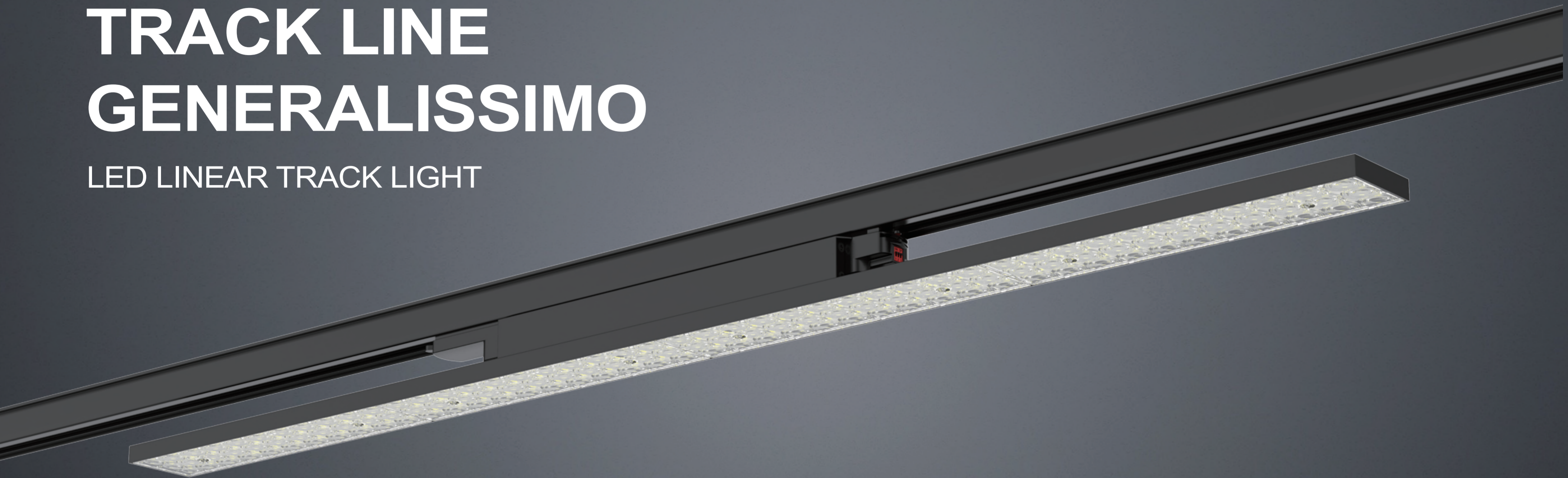


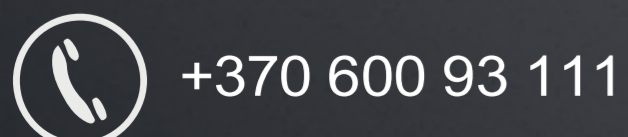


# TRACK LINE GENERALISSIMO

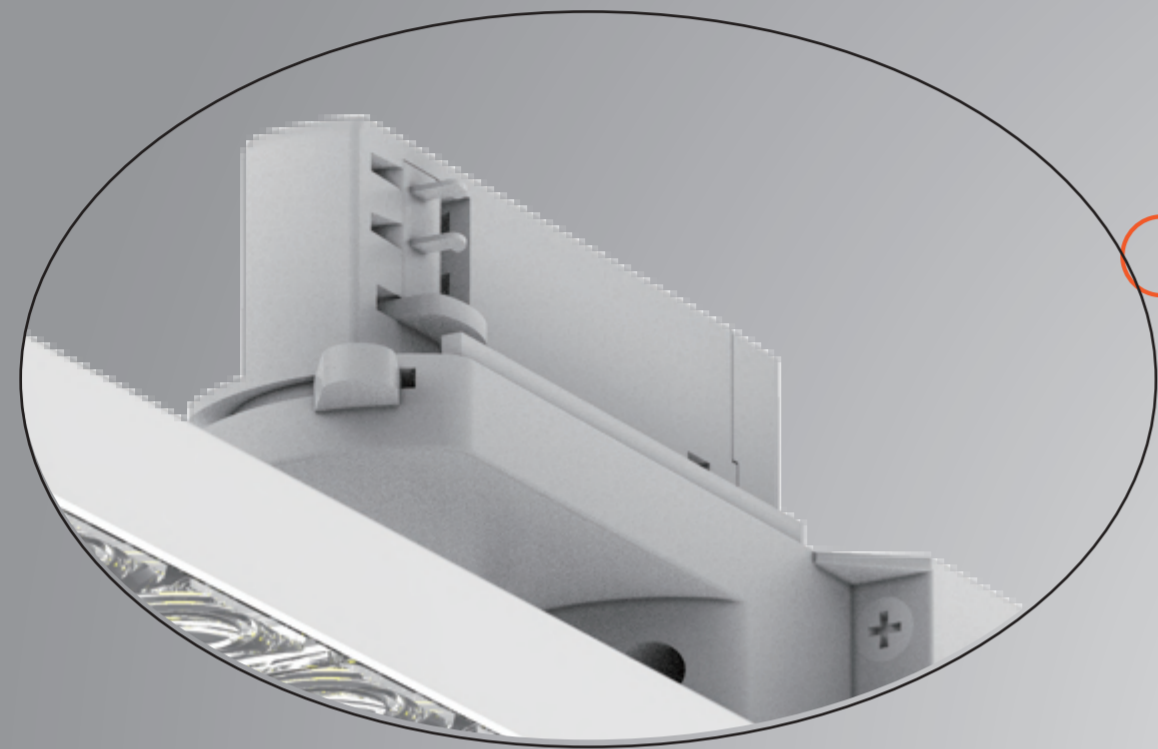
LED LINEAR TRACK LIGHT



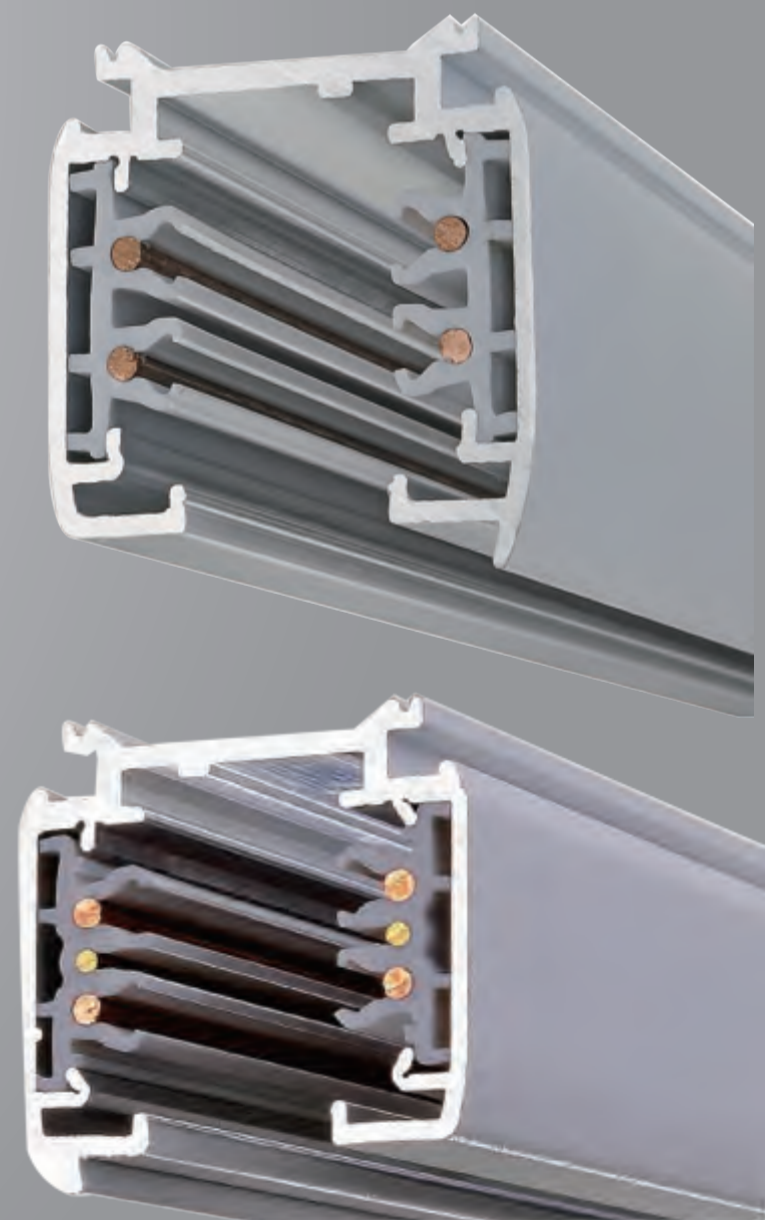
SHOP LIGHTING OF THE NEXT GENERATION



# Features



Universal track adapter compatible with multiple 3-circuit tracks

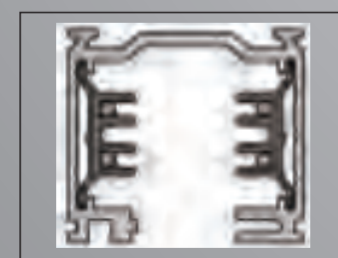


Can work with the following brand track:

STAFF



NORLUX



NORDIC



GLOBAL



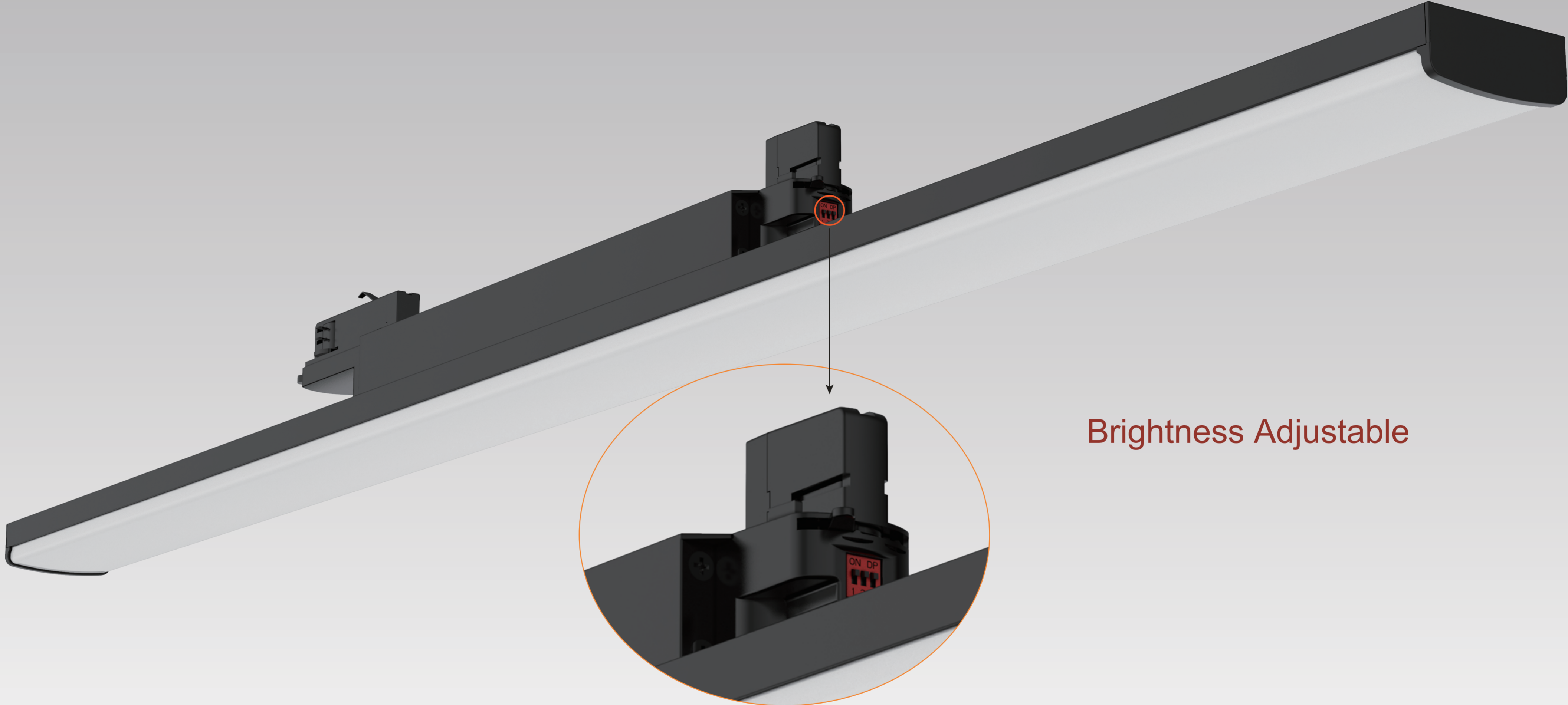
Nuco



Other



# Features



Brightness Adjustable

**1.2M** 70% 83% 90% 100%

1	2	3	Power(W)
-	-	-	48
ON	-	-	44
ON	ON	-	40
ON	ON	ON	34

**1.5M** 70% 83% 90% 100%

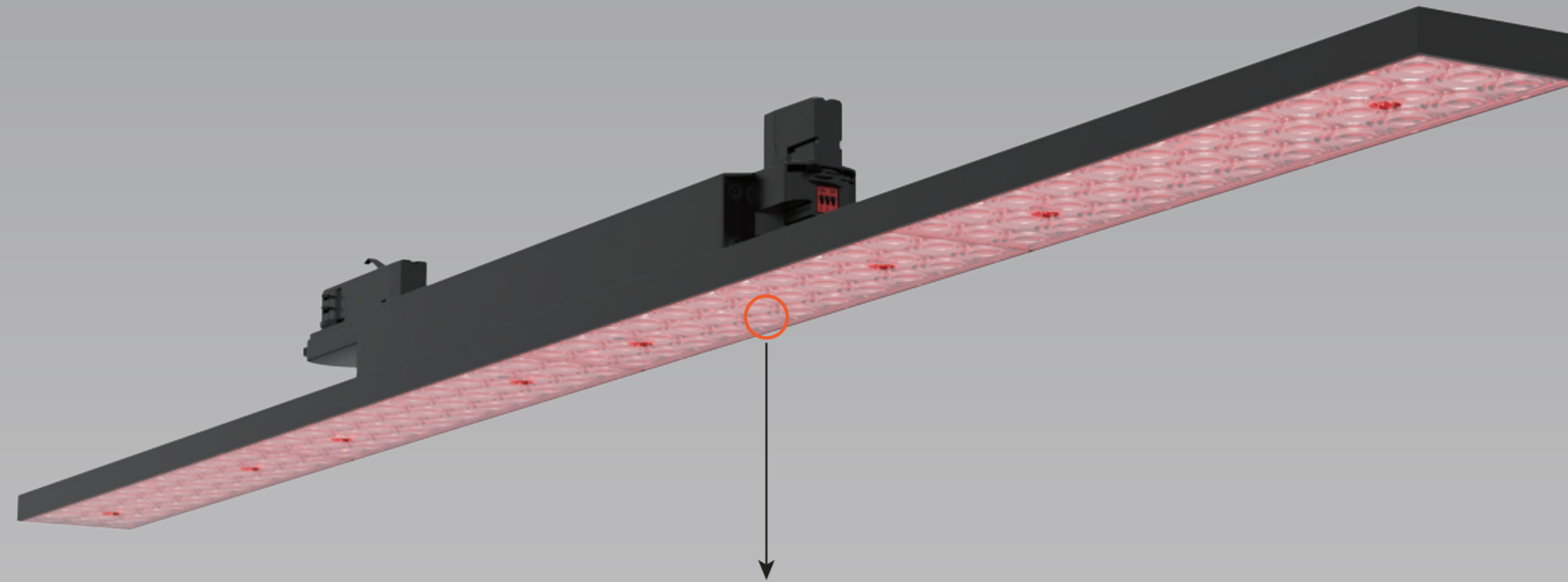
1	2	3	Power(W)
-	-	-	60
ON	-	-	55
ON	ON	-	50
ON	ON	ON	42

**1.5M** 50% 66% 80% 100%

1	2	3	Power(W)
ON	ON	ON	68
ON	ON	-	54
ON	-	-	45
-	-	-	36

# Fresh Lighting

Accentuating freshness and overall visual appeal, making food irresistible



Marbled Meat



Red Meat



Bread



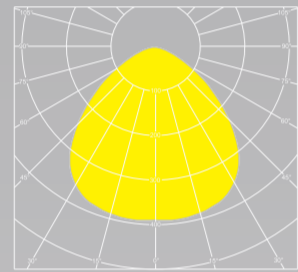
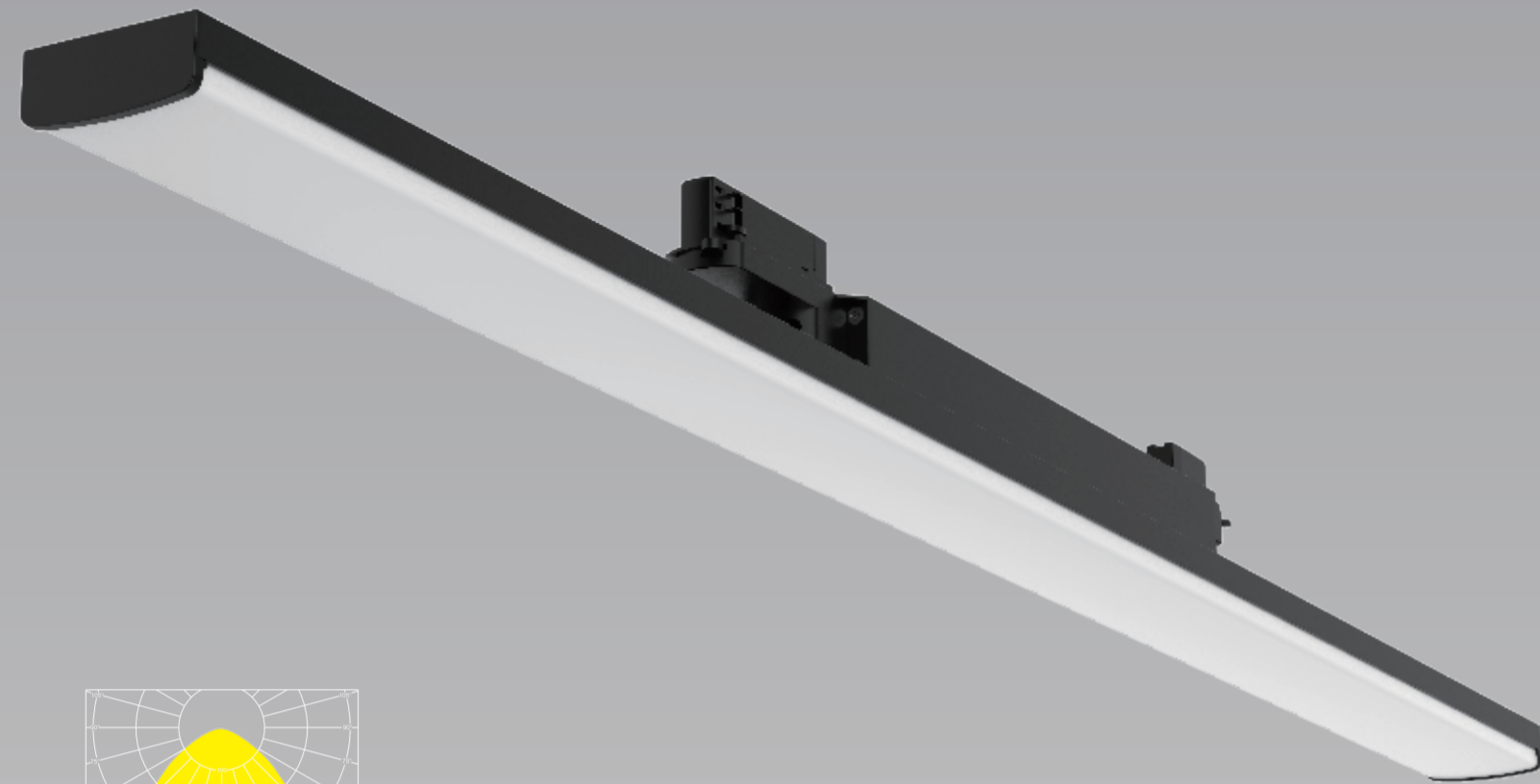
Fish



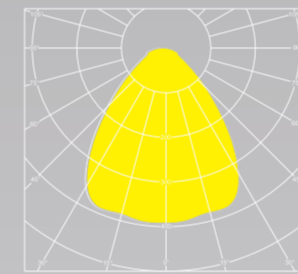
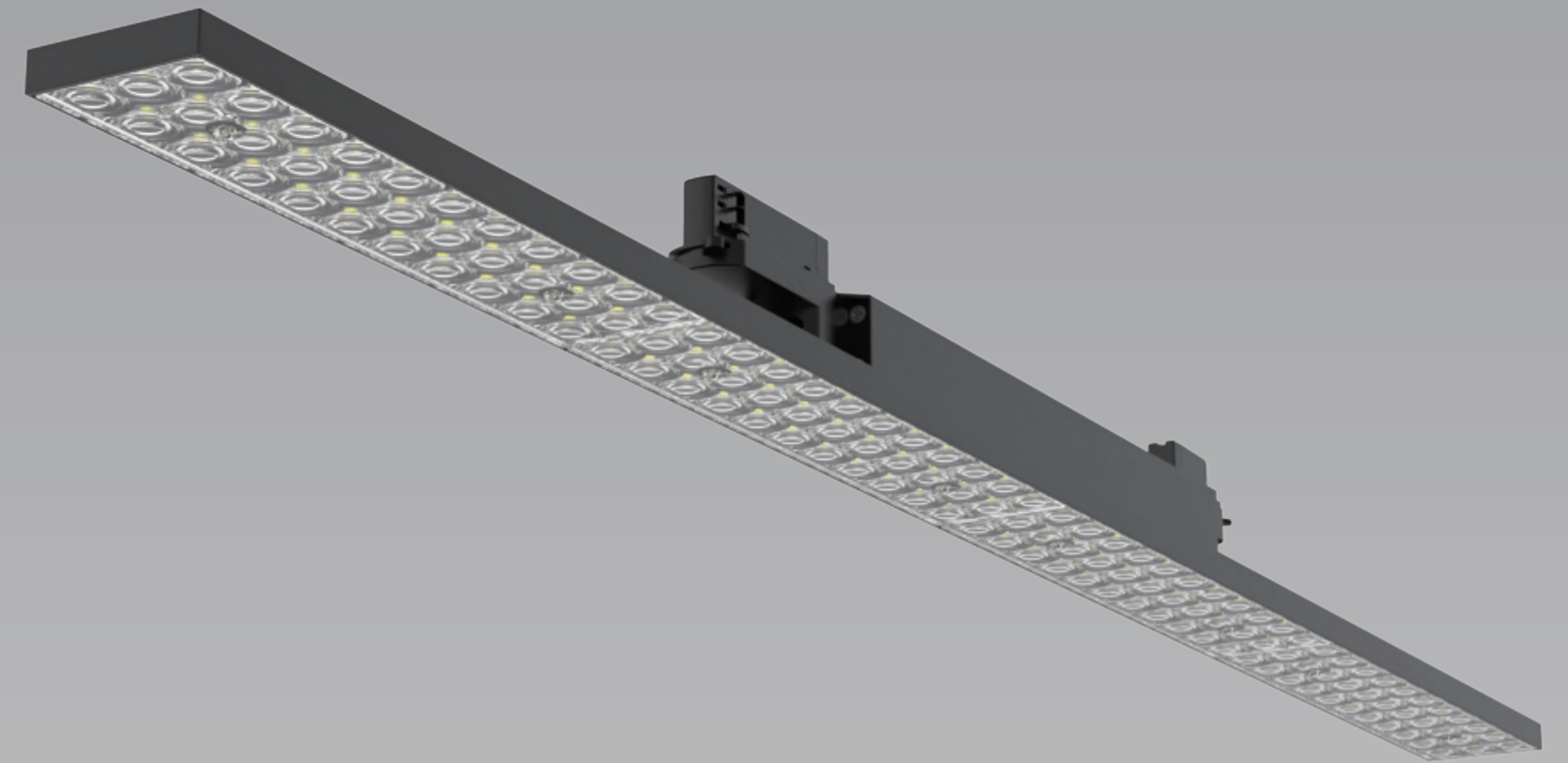
fruits and vegetables



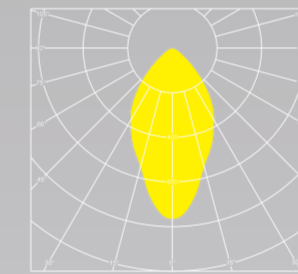
# OPTICS



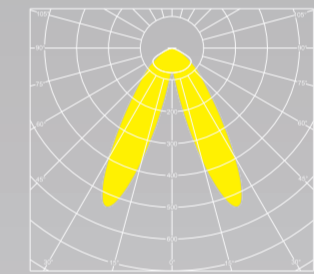
120°(FF)



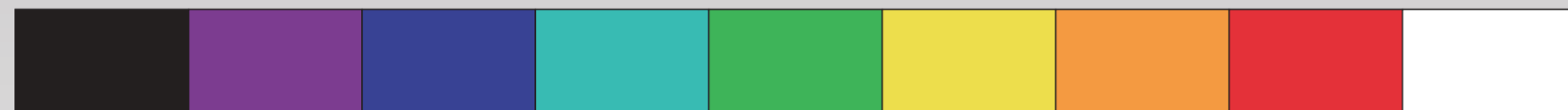
90° (WD)



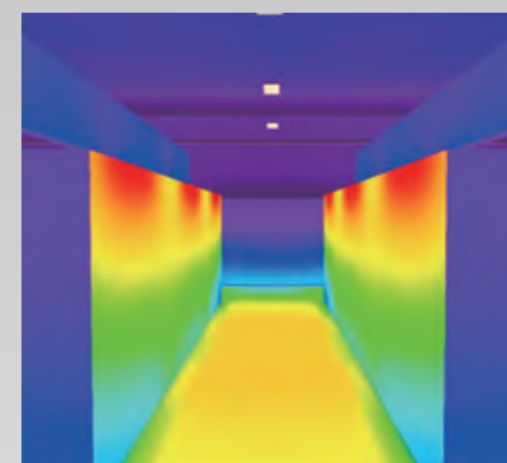
60°(NR)



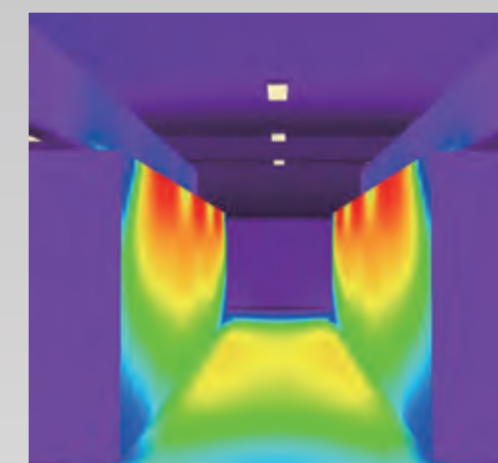
DS 25°



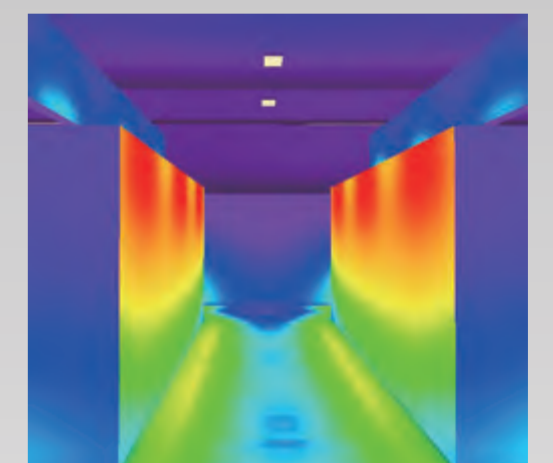
0 50 100 150 200 300 500 750 1000



90° (WD)



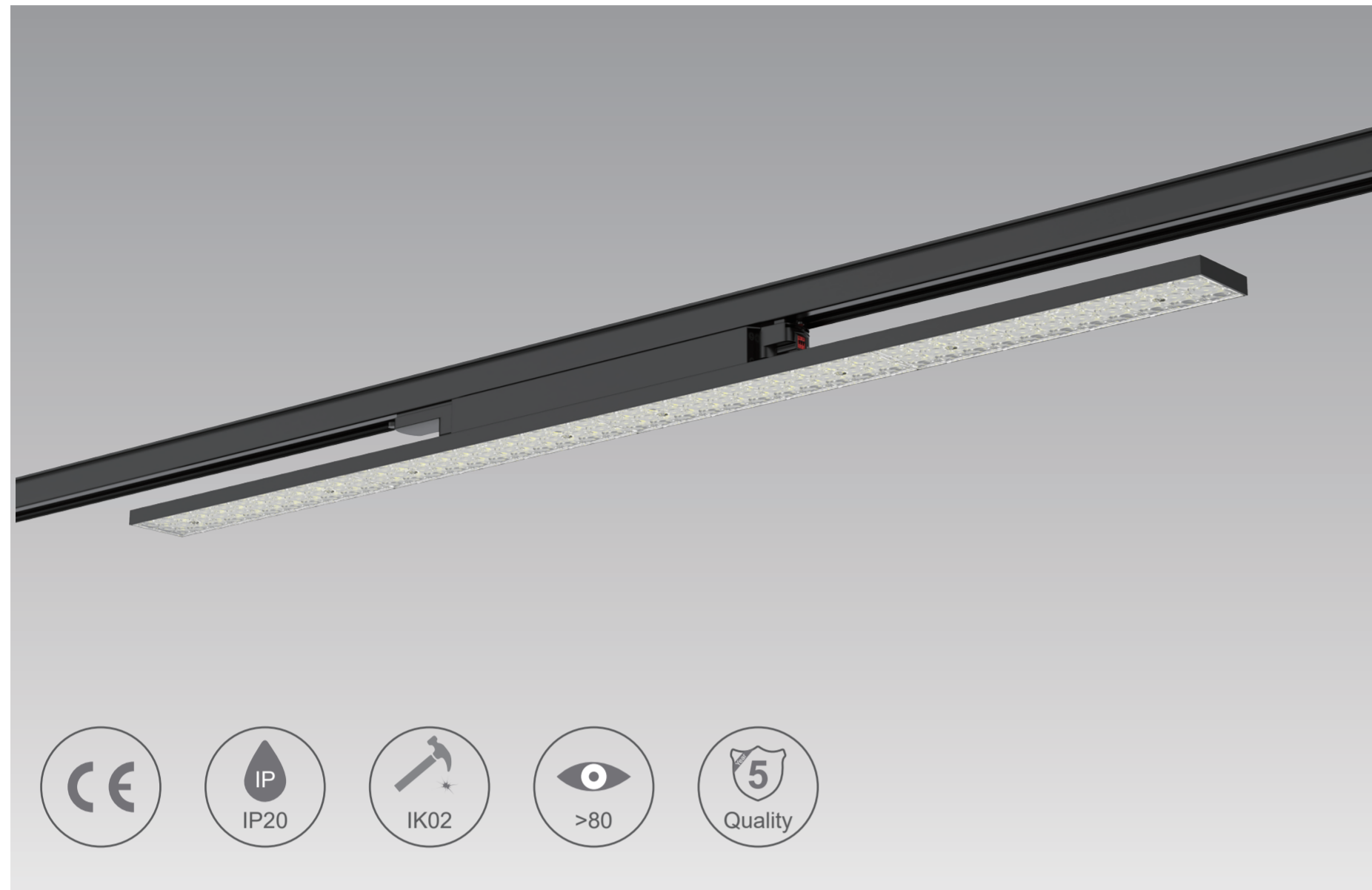
60°(NR)



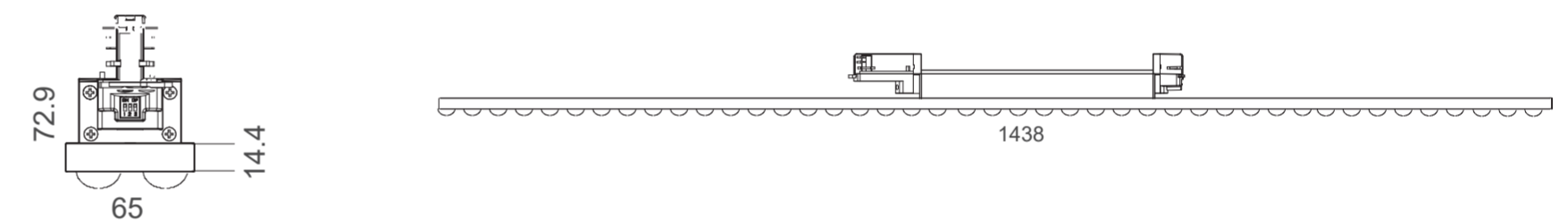
DS25°

Shop  
Office  
Gallery  
Corridor  
Exhibition hall

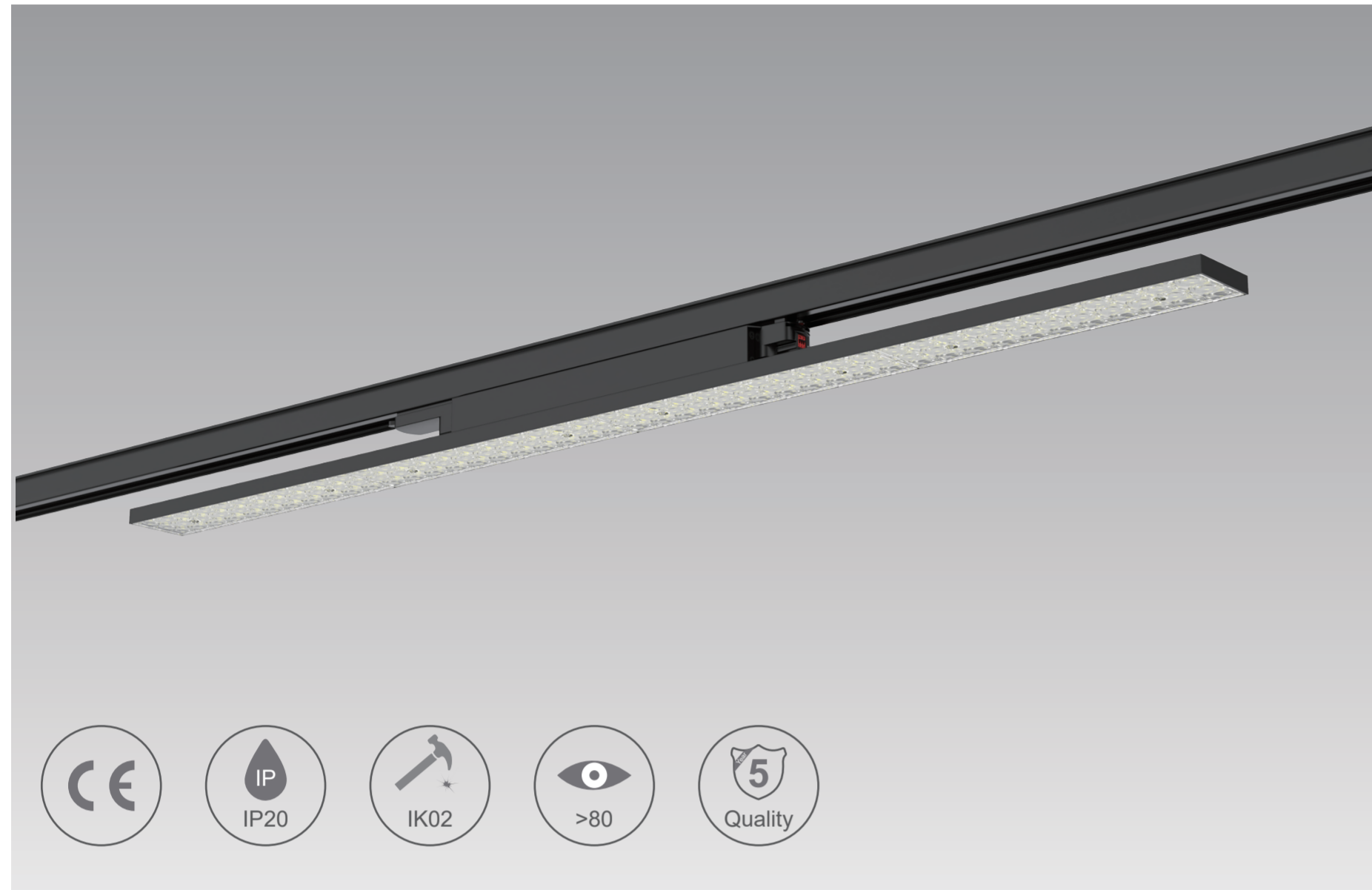




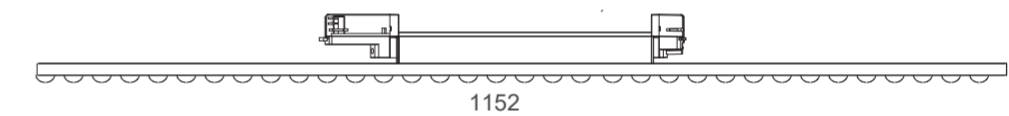
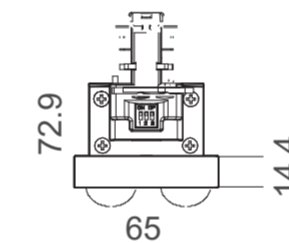
Dimensions	1438 x65 mm
Weight	1.7 kg
Input voltage	220 - 240V AC/DC
Lifetime	>70.000 h [L90, B10]
Energy efficiency class	A++
Power factor	> 0,95
Switching cycles before failure	> 500.000
Operating temperature	-25° bis +45°C
Storing temperature	-30° bis +60°C
Protection class	IP20
Material	Aluminium+ PMMA
Track Adaptor	Powergear 3-Circuit



Datasheet	TYPE	POWER (W)	LUMEN (LM)	EFFICACY (LM/W)	CCT (K)	Beam angle	CRI (RA)	Driver (Brand)	Function	MCB 16A type B
Shape Color	Generalissimo-L-1438-3000K-68AD-P	68W adjust 54W 45W 36W by switch	Max 8800	130	3000K	90° / 60° / DS25° / Milky cover 120°	>80 or >90	Philips	Non-Dimmable	24 pcs
	Generalissimo-L-1438-X000K-68AD-P	68W adjust 54W 45W 36W by switch	Max 10,500	160	4000K   5000K   6000K	90° / 60° / DS25° / Milky cover 120°	>80 or >90	Philips	Non-Dimmable	24 pcs
	Generalissimo-L-1438-RM/MM-68AD-P	68W adjust 54W 45W 36W by switch	Max 4400	65	Red Meat   Marbled Meat	90° / 60° / DS25° / Milky cover 120°	>80	Philips	Non-Dimmable	24 pcs
	Generalissimo-L-1438-F/V-68AD-P	68W adjust 54W 45W 36W by switch	Max 6100	90	fruits and vegetables	90° / 60° / DS25° / Milky cover 120°	>90	Philips	Non-Dimmable	24 pcs
	Generalissimo-L-1438-F/B-68AD-P	68W adjust 54W 45W 36W by switch	Max 7100	105	Fish   Bread	90° / 60° / DS25° / Milky cover 120°	>90	Philips	Non-Dimmable	24 pcs
	Generalissimo-L-1438-3000K-60AD-T	60W adjust 55W 40W 42W by switch	Max 7800	130	3000K	90° / 60° / DS25° / Milky cover 120°	>80 or >90	TRIDONIC	Non-Dimmable	22 pcs
	Generalissimo-L-1438-X000K-60AD-T	60W adjust 55W 40W 42W by switch	Max 9,000	160	4000K   5000K   6000K	90° / 60° / DS25° / Milky cover 120°	>80 or >90	TRIDONIC	Non-Dimmable	22 pcs
	Generalissimo-L-1438-RM/MM-60AD-T	60W adjust 55W 40W 42W by switch	Max 3900	65	Red Meat   Marbled Meat	90° / 60° / DS25° / Milky cover 120°	>80	TRIDONIC	Non-Dimmable	22 pcs
	Generalissimo-L-1438-F/V-60AD-T	60W adjust 55W 40W 42W by switch	Max 5400	90	fruits and vegetables	90° / 60° / DS25° / Milky cover 120°	>90	TRIDONIC	Non-Dimmable	22 pcs
	Generalissimo-L-1438-F/B-60AD-T	60W adjust 55W 40W 42W by switch	Max 6300	105	Fish   Bread	90° / 60° / DS25° / Milky cover 120°	>90	TRIDONIC	Non-Dimmable	22 pcs
Black	Generalissimo-L-1438-3000K-68-DALI-T	Max 68W	Max 8800	130	3000K	90° / 60° / DS25° / Milky cover 120°	>80 or >90	TRIDONIC	DALI	21 pcs
	Generalissimo-L-1438-X000K-68-DALI-T	Max 68W	Max 10,500	160	4000K   5000K   6000K	90° / 60° / DS25° / Milky cover 120°	>80 or >90	TRIDONIC	DALI	21 pcs
	Generalissimo-L-1438-RM/MM-68-DALI-T	Max 68W	Max 4400	65	Red Meat   Marbled Meat	90° / 60° / DS25° / Milky cover 120°	>80	TRIDONIC	DALI	21 pcs
	Generalissimo-L-1438-F/V-68-DALI-T	Max 68W	Max 6100	90	fruits and vegetables	90° / 60° / DS25° / Milky cover 120°	>90	TRIDONIC	DALI	21 pcs
	Generalissimo-L-1438-F/B-68-DALI-T	Max 68W	Max 7100	105	Fish   Bread	90° / 60° / DS25° / Milky cover 120°	>90	TRIDONIC	DALI	21 pcs



Dimensions	1152 x65 mm
Weight	1.4 kg
Input voltage	220 - 240V AC/DC
Lifetime	>70.000 h [L90, B10]
Energy efficiency class	A++
Power factor	> 0,95
Switching cycles before failure	> 500.000
Operating temperature	-25° bis +45°C
Storing temperature	-30° bis +60°C
Protection class	IP20
Material	Aluminium+ PMMA
Track Adaptor	Powergear 3-Circuit

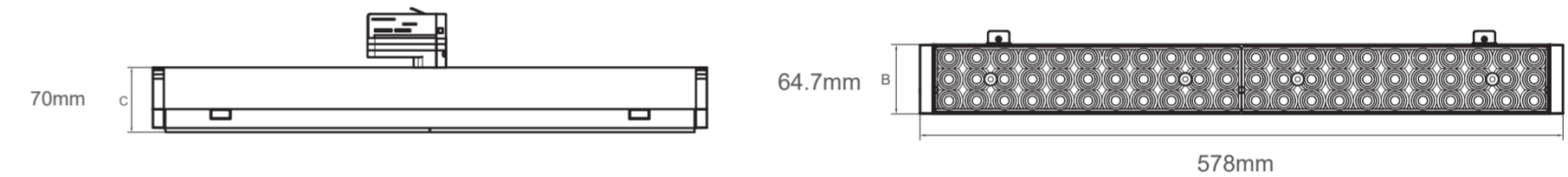


Datasheet	TYPE	POWER (W)	LUMEN (LM)	EFFICACY (LM/W)	CCT K	Beam angle °	CRI RA	Driver (Brand)	Function /	MCB 16A type B /
<b>Shape Color</b>	Generalissimo-L-1152-3000K-48AD-T	48W adjust 44W 40W 34W by switch	Max 6000	130	3000K	90° / 60° / DS25° / Milky cover 120°	>80 or >90	TRIDONIC	Non-Dimmable	22 pcs
	Generalissimo-L-1152-X000K-48AD-T	48W adjust 44W 40W 34W by switch	Max 7000	150	4000K   5000K   6000K	90° / 60° / DS25° / Milky cover 120°	>80 or >90	TRIDONIC	Non-Dimmable	22 pcs
	Generalissimo-L-1152-RM/MM-48AD-T	48W adjust 44W 40W 34W by switch	Max 3200	65	Red Meat   Marbled Meat	90° / 60° / DS25° / Milky cover 120°	>80	TRIDONIC	Non-Dimmable	22 pcs
	Generalissimo-L-1152-F/V-48AD-T	48W adjust 44W 40W 34W by switch	Max 4300	90	fruits and vegetables	90° / 60° / DS25° / Milky cover 120°	>90	TRIDONIC	Non-Dimmable	22 pcs
	Generalissimo-L-1152-F/B-48AD-T	48W adjust 44W 40W 34W by switch	Max 5000	105	Fish   Bread	90° / 60° / DS25° / Milky cover 120°	>90	TRIDONIC	Non-Dimmable	22 pcs
<b>White RAL 9016</b>	Generalissimo-L-1152-3000K-55-DALI-T	Max 55W	Max 8800	130	3000K	90° / 60° / DS25° / Milky cover 120°	>80 or >90	TRIDONIC	DALI	21 pcs
	Generalissimo-L-1152-X000K-55-DALI-T	Max 55W	Max 10,500	160	4000K   5000K   6000K	90° / 60° / DS25° / Milky cover 120°	>80 or >90	TRIDONIC	DALI	21 pcs
	Generalissimo-L-1152-RM/MM-55-DALI-T	Max 55W	Max 4400	65	Red Meat   Marbled Meat	90° / 60° / DS25° / Milky cover 120°	>80	TRIDONIC	DALI	21 pcs
	Generalissimo-L-1152-F/V-55-DALI-T	Max 55W	Max 6100	90	fruits and vegetables	90° / 60° / DS25° / Milky cover 120°	>90	TRIDONIC	DALI	21 pcs
	Generalissimo-L-1152-F/B-55-DALI-T	Max 55W	Max 7100	105	Fish   Bread	90° / 60° / DS25° / Milky cover 120°	>90	TRIDONIC	DALI	21 pcs
<b>Black</b>										



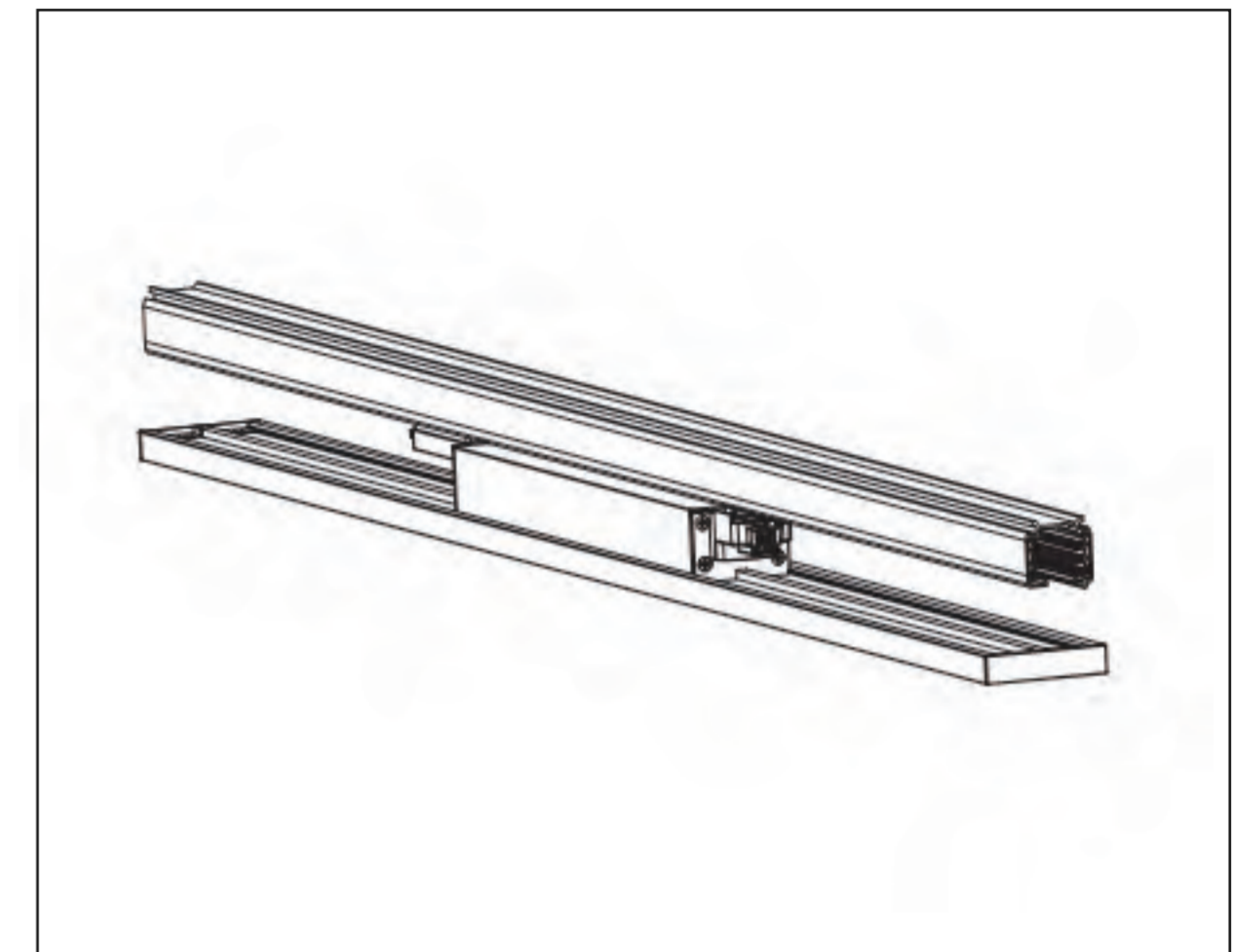
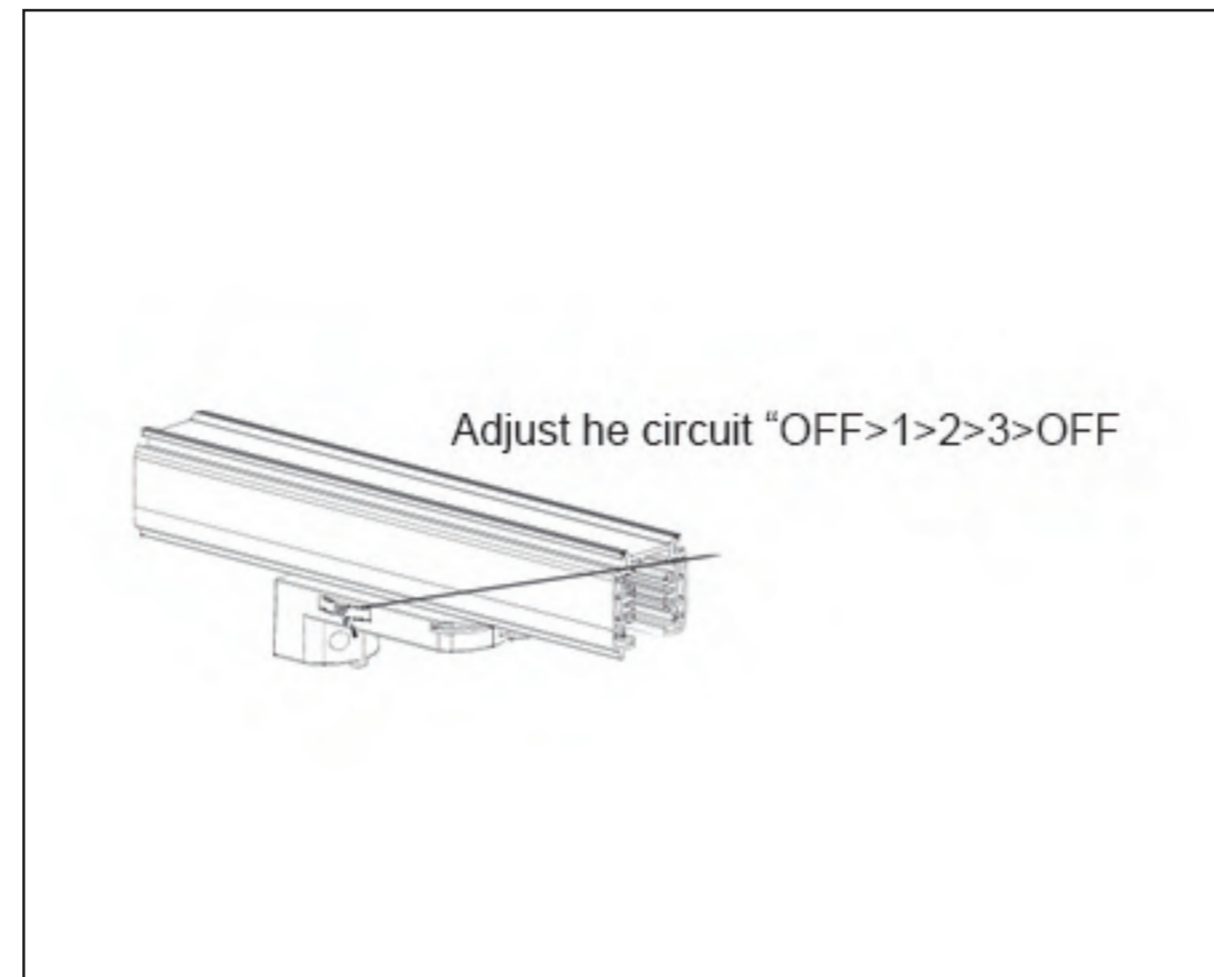
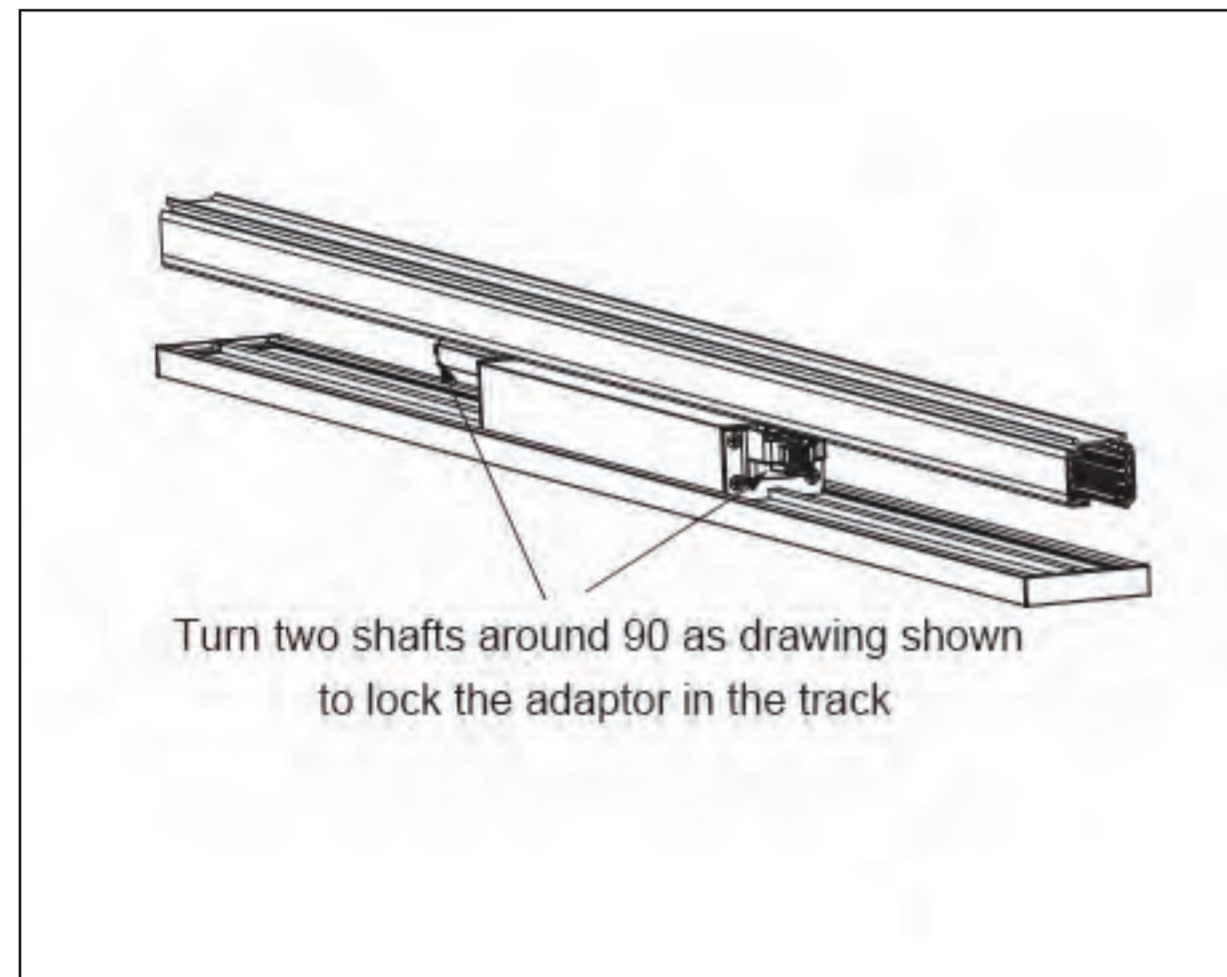


Dimensions	578 x65 mm
Weight	1.35 kg
Input voltage	220 - 240V AC/DC
Lifetime	>70.000 h [L90, B10]
Energy efficiency class	A++
Power factor	> 0,95
Switching cycles before failure	> 500.000
Operating temperature	-25° bis +45°C
Storing temperature	-30° bis +60°C
Protection class	IP20
Material	Aluminium+ PMMA
Track Adaptor	Powergear 3-Circuit



Datasheet	TYPE	POWER (W)	LUMEN (LM)	EFFICACY (LM/W)	CCT K	Beam angle	CRI RA	Driver (Brand)	Function /	MCB 16A type B /
<b>Shape Color</b>	Generalissimo-L-578-3000K-25AD-S	25W	3000	130	3000K	90° / 60° / DS25°	>80 or >90	Osram	Non-Dimmable	13 pcs
	Generalissimo-L-578-X000K-25AD-S	25W	3500	150	4000K   5000K   6000K	90° / 60° / DS25°	>80 or >90	Osram	Non-Dimmable	13 pcs
	Generalissimo-L-578-RM/MM-25AD-S	25W	1625	65	Red Meat   Marbled Meat	90° / 60° / DS25°	>80	Osram	Non-Dimmable	13 pcs
	Generalissimo-L-578-F/V-25AD-S	25W	2250	90	fruits and vegetables	90° / 60° / DS25°	>90	Osram	Non-Dimmable	13 pcs
	Generalissimo-L-578-F/B-25AD-S	25W	2625	105	Fish   Bread	90° / 60° / DS25°	>90	Osram	Non-Dimmable	13 pcs
<b>White RAL 9016</b>	Generalissimo-L-578-3000K-25-DALI-T	25W	Max 8800	130	3000K	90° / 60° / DS25°	>80 or >90	TRIDONIC	DALI	21 pcs
	Generalissimo-L-578-X000K-25-DALI-T	25W	Max 10.500	160	4000K   5000K   6000K	90° / 60° / DS25°	>80 or >90	TRIDONIC	DALI	21 pcs
	Generalissimo-L-578-RM/MM-25-DALI-T	25W	Max 4400	65	Red Meat   Marbled Meat	90° / 60° / DS25°	>80	TRIDONIC	DALI	21 pcs
	Generalissimo-L-578-F/V-25-DALI-T	25W	Max 6100	90	fruits and vegetables	90° / 60° / DS25°	>90	TRIDONIC	DALI	21 pcs
	Generalissimo-L-578-F/B-25-DALI-T	25W	Max 7100	105	Fish   Bread	90° / 60° / DS25°	>90	TRIDONIC	DALI	21 pcs
<b>Black</b>										

## 1200mm and 1500mm Installation



## Package

Code	Outer Carton	Qty/Carton	Unit N.W	G.W/Carton
P02	1250*370*205mm	8Pcs	1350g	14KG

Code	Outer Carton	Qty/Carton	Unit N.W	G.W/Carton
P02	1540*370*205 mm	8Pcs	1750g	16KG

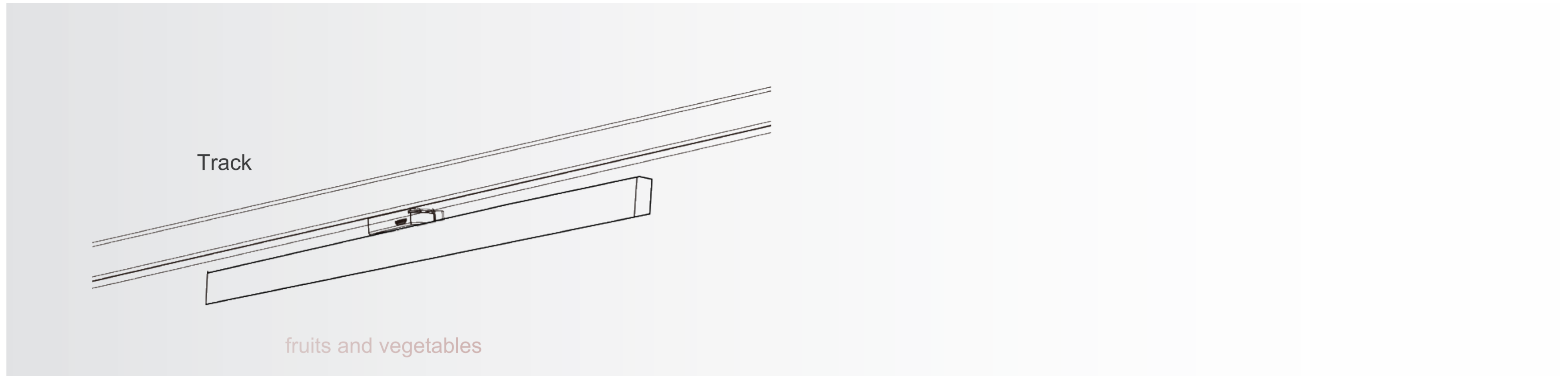


8PCS/CTN  
Shipping Carton

## ! Caution

- ✘ In case of electric shock, please make sure the power is off before installation.
- ✘ The lamp should be installed and operated by a qualified electrician or technician in accordance with relevant local codes.
- ✘ Do not use sharp tools near or on the surface of the lamp.
- ✘ Unpack and examine the product carefully. Report any damage and save all packing materials if any portion of the product was damaged during transportation.

## 600mm Installation



## Package

Code	Outer Carton	Qty/Carton	Unit N.W	G.W/Carton
P03	700*448*220mm	8Pcs	1350g	14KG



8PCS/CTN  
Shipping Carton

## ! Caution

- ⊗ In case of electric shock, please make sure the power is off before installation.
- ⊗ The lamp should be installed and operated by a qualified electrician or technician in accordance with relevant local codes.
- ⊗ Do not use sharp tools near or on the surface of the lamp.
- ⊗ Unpack and examine the product carefully. Report any damage and save all packing materials if any portion of the product was damaged during transportation.