

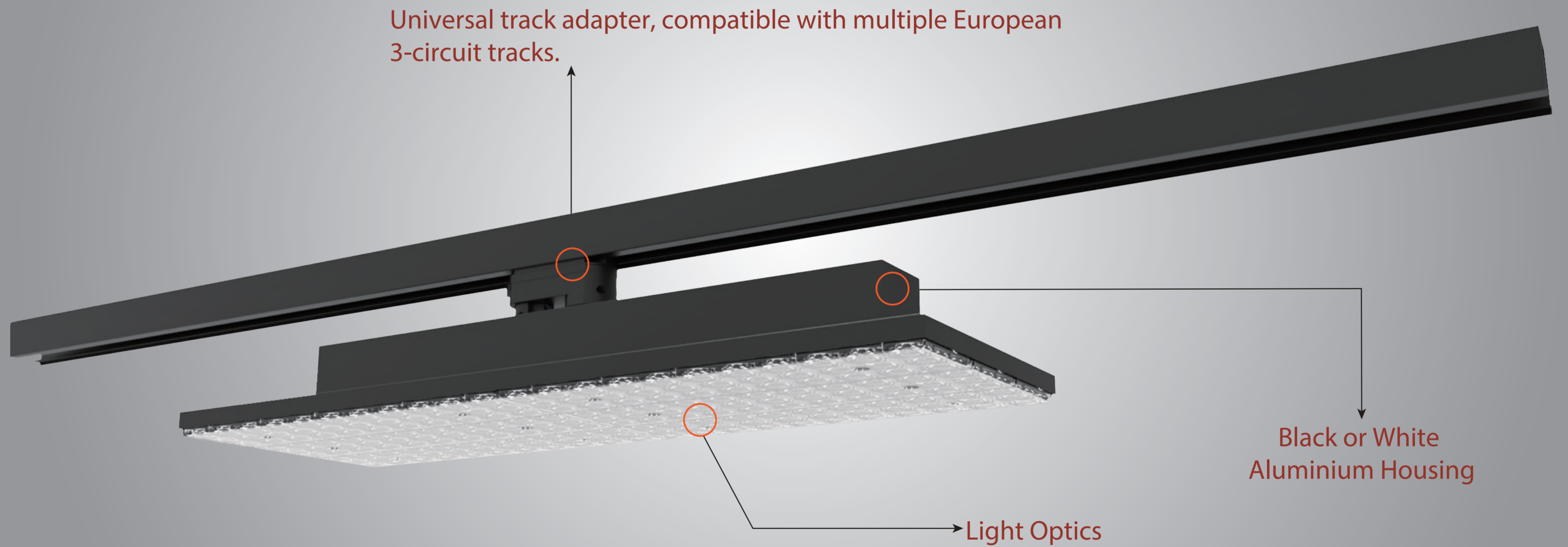
TRACK PANEL GENERALISSIMO

LED LINEAR TRACK LIGHT

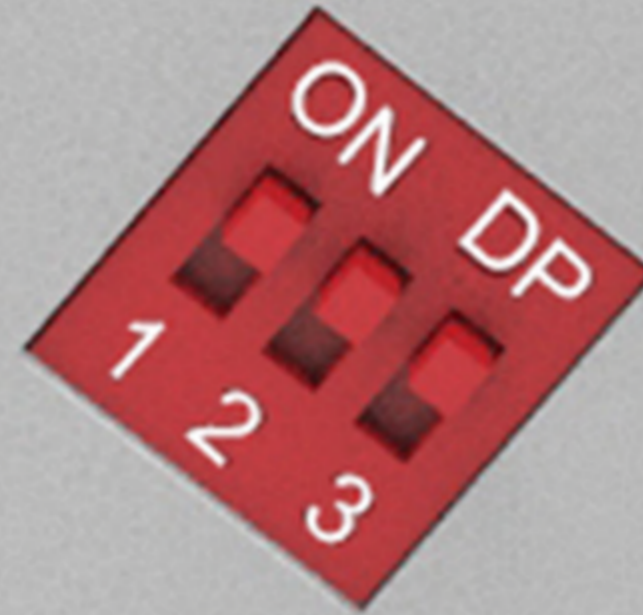


Features

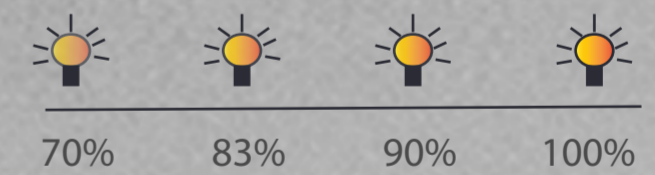
- Universal track adapter
- Power switchable
- Tridonic driver
- Innovative optics
- Up to 160LM/W
- Optional beam angle
- Flicker-free



Features



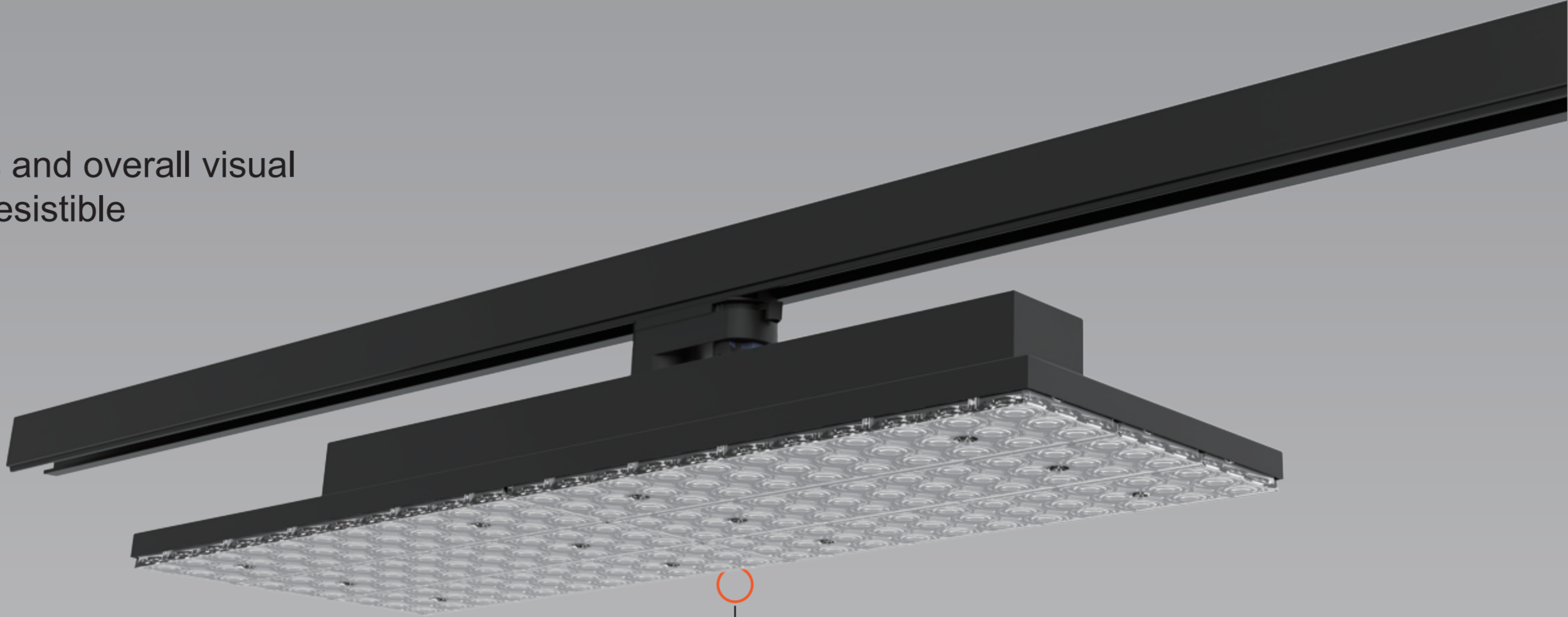
Brightness Adjustable



1	2	3	Power(W)
-	-	-	70
ON	-	-	64
ON	ON	-	57
ON	ON	ON	50

Fresh Lighting

Accentuating freshness and overall visual appeal, making food irresistible



Marbled Meat

Red Meat

Bread

Fish

fruits and vegetables

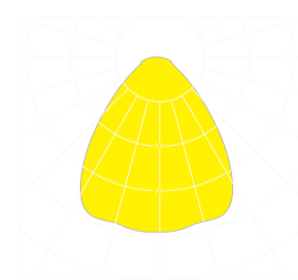


Features

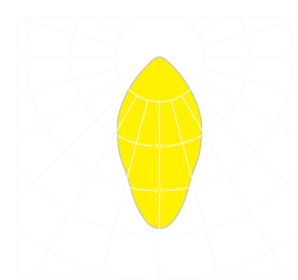
350° Flexible
Black and white



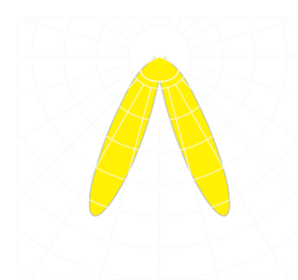
Light distribution



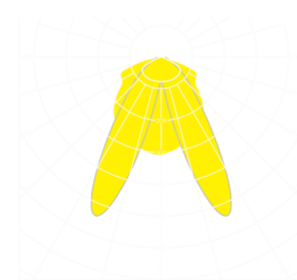
90° (WD)



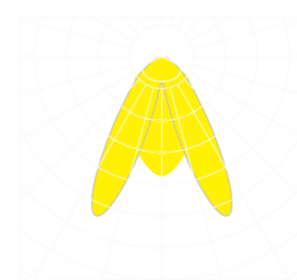
60°(NR)



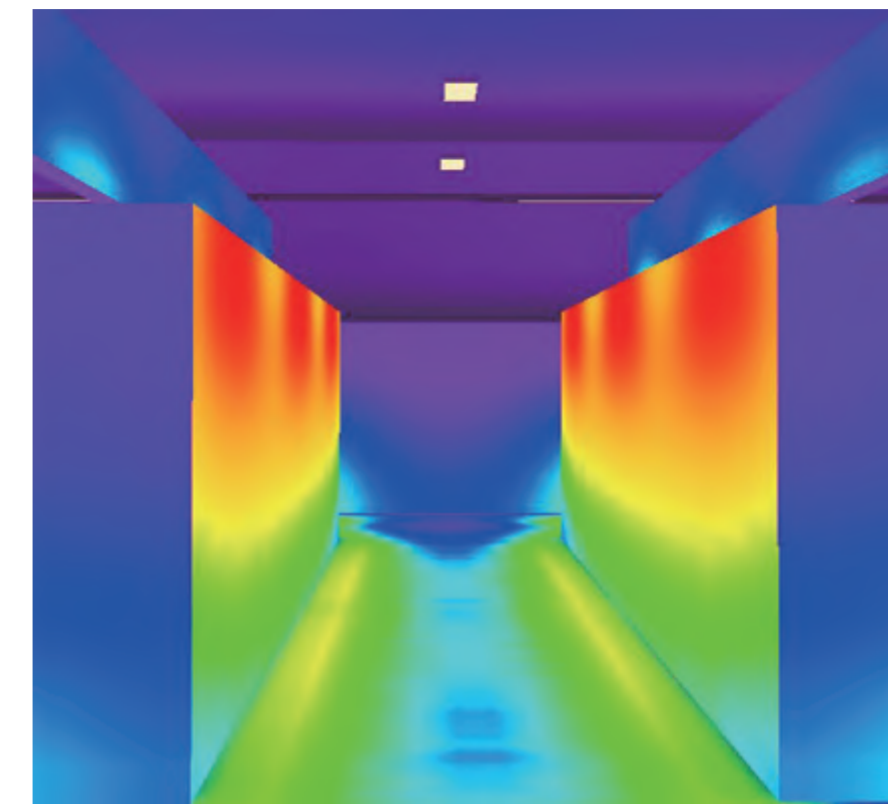
DS 25°



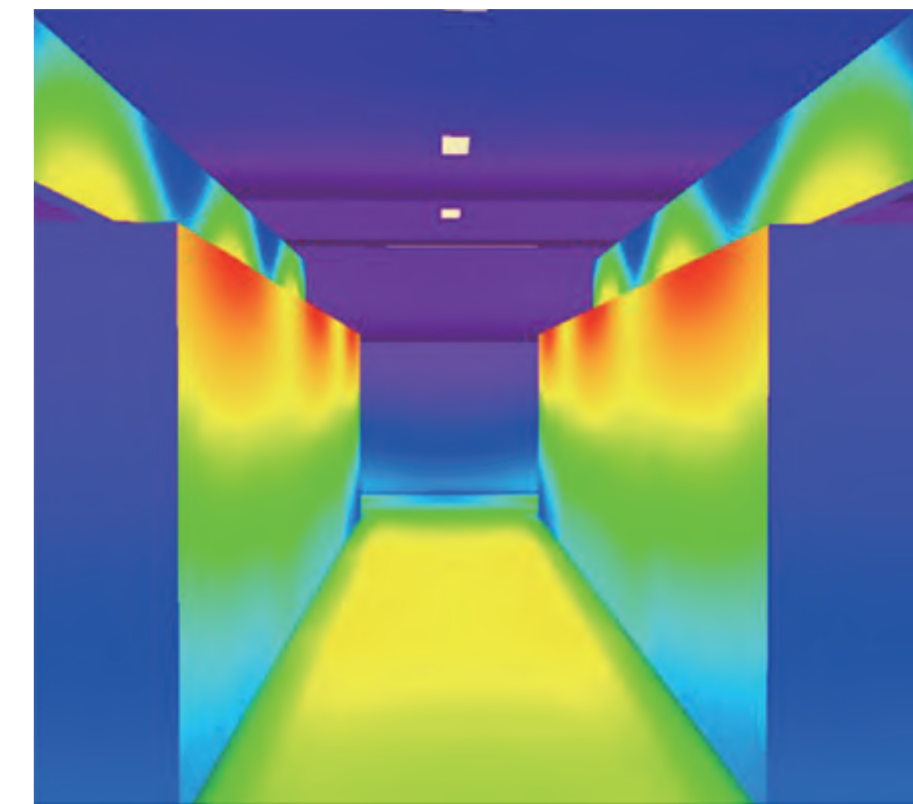
DS 25°×90°×DS 25°



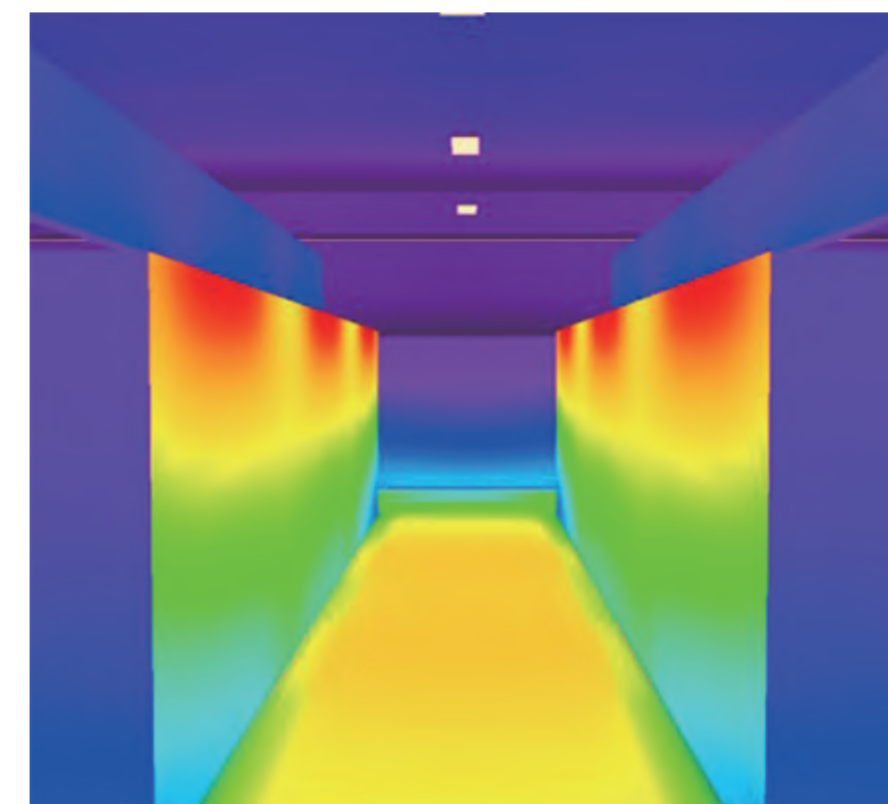
DS 25°×60°×DS 25°



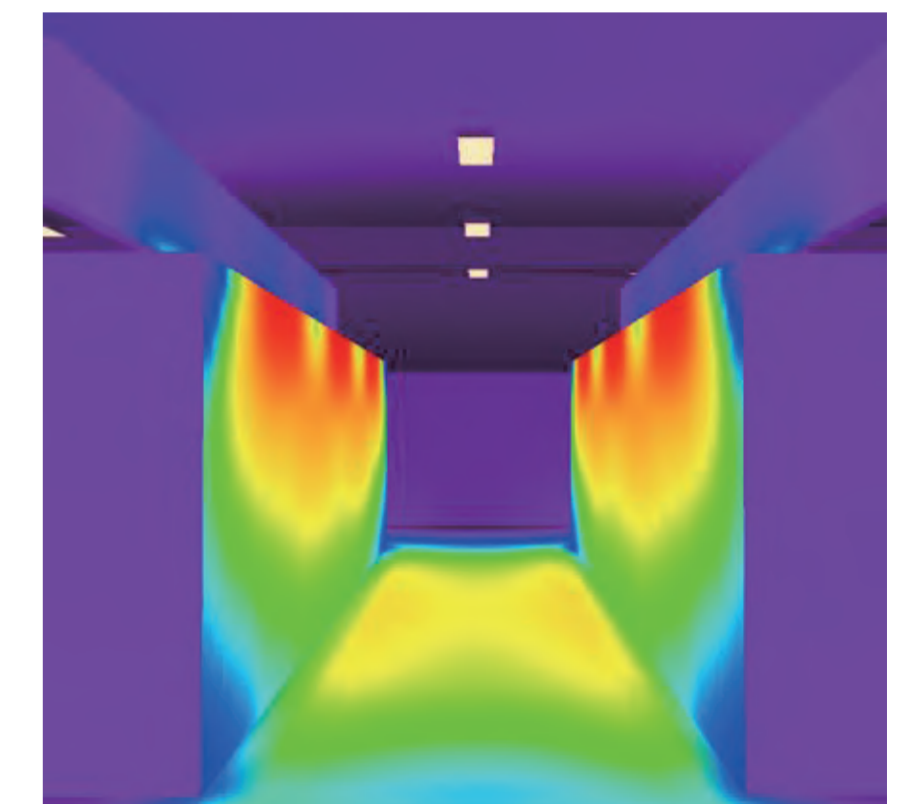
DS25°



DS25-90°



90° (WD)



60°(NR)

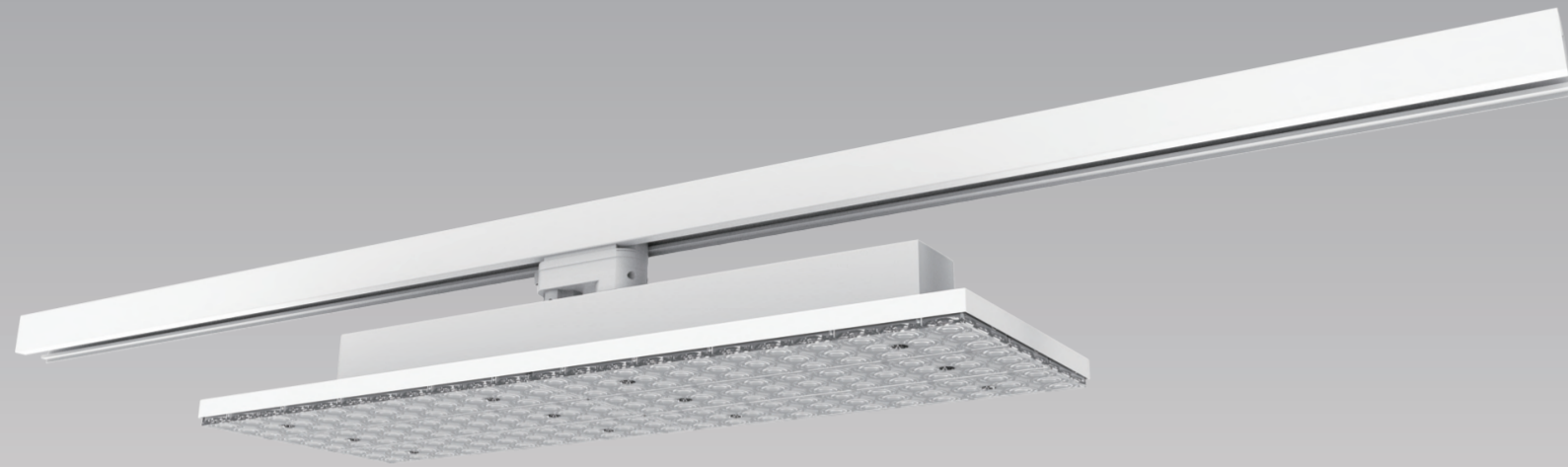


0 50 100 150 200 300 500 750 1000

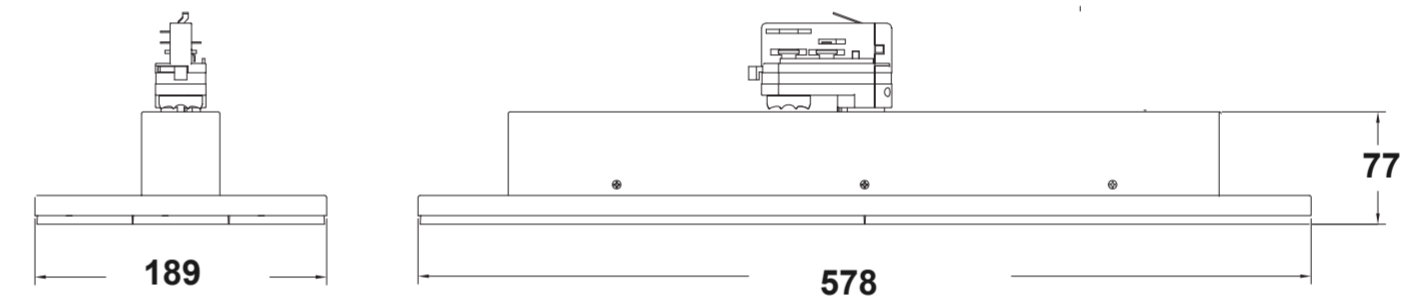
Shop
Supermarkt



Track Mounted

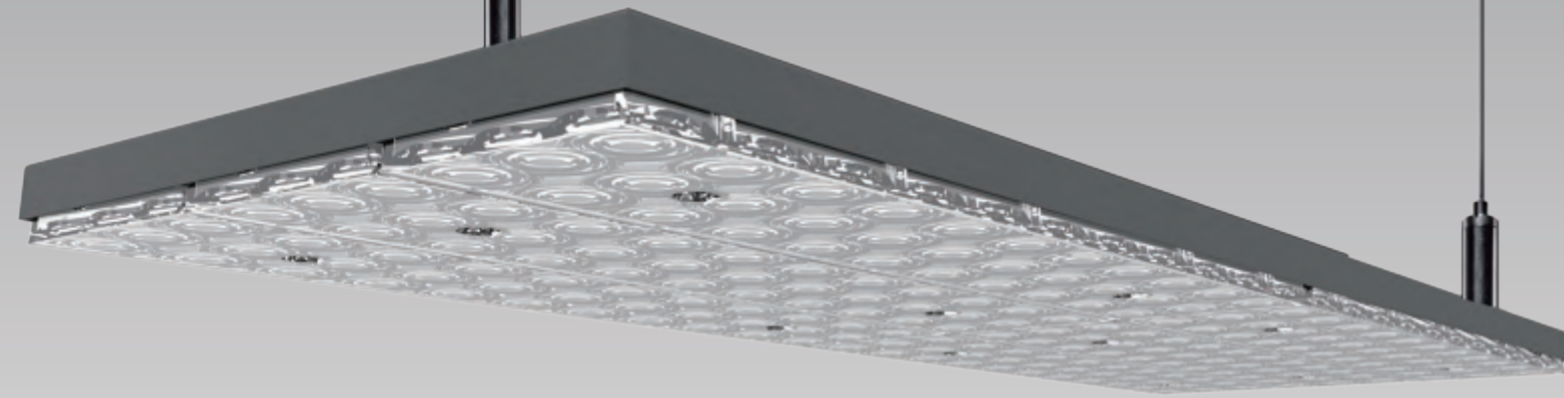


Dimensions	578 x 189 x 77 mm
Weight	2.92 kg
Input voltage	220 - 240V AC/DC
Lifetime	>70.000 h [L90, B10]
Energy efficiency class	A++
Power factor	> 0,95
Switching cycles before failure	> 500.000
Operating temperature	-25° bis +45°C
Storing temperature	-30° bis +60°C
SCDM	<3
Material	Aluminium+ PMMA
Track Adaptor	Powergear 3-Circuit

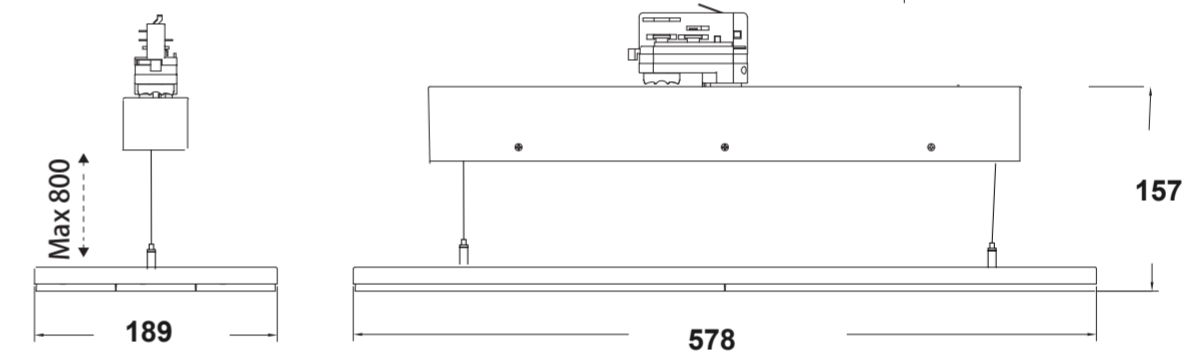


Datasheet	TYPE	POWER (W)	LUMEN (LM)	EFFICACY (LM/W)	CCT K	Beam angle	CRI RA	Driver (Brand)	Function /	MCB 16A type B /
Shape Color	Generalissimo-L-578-3000K-70AD-T	70W adjust 64W 57W 60W by switch	Max 9,500	150	3000K		>80 or >90	TRIDONIC	Non-Dimmable	22 pcs
	Generalissimo-L-578-X000K-70AD-T	70W adjust 64W 57W 60W by switch	Max 11,000	160	4000K 5000K 6000K	90° 60°	>80 or >90	TRIDONIC	Non-Dimmable	22 pcs
	Generalissimo-L-578-RM/MM-75AD-T	70W adjust 64W 57W 60W by switch	Max 4400	65	Red Meat Marbled Meat	DS25° DS25° x 60° x 25°	>80	TRIDONIC	Non-Dimmable	22 pcs
	Generalissimo-L-578-F/V-70AD-T	70W adjust 64W 57W 60W by switch	Max 6100	90	fruits and vegetables	DS25° x 90° x 25° 90° x 60° x 90°	>90	TRIDONIC	Non-Dimmable	22 pcs
	Generalissimo-L-578-F/B-70AD-T	70W adjust 64W 57W 60W by switch	Max 7100	105	Fish Bread		>90	TRIDONIC	Non-Dimmable	22pcs
White RAL 9016	Generalissimo-L-578-3000K-70-DALI-T	MAX 70W	Max 9,500	150	3000K		>80 or >90	TRIDONIC	DALI	21 pcs
	Generalissimo-L-578-X000K-70-DALI-T	MAX 70W	Max 11,000	160	4000K 5000K 6000K	90° 60°	>80 or >90	TRIDONIC	DALI	21 pcs
	Generalissimo-L-578-RM/MM-75-DALI-T	MAX 70W	Max 4400	65	Red Meat Marbled Meat	DS25° DS25° x 60° x 25°	>80	TRIDONIC	DALI	21 pcs
	Generalissimo-L-578-F/V-70-DALI-T	MAX 70W	Max 6100	90	fruits and vegetables	DS25° x 90° x 25° 90° x 60° x 90°	>90	TRIDONIC	DALI	21 pcs
	Generalissimo-L-578-F/B-70-DALI-T	MAX 70W	Max 7100	105	Fish Bread		>90	TRIDONIC	DALI	21pcs
Black	Generalissimo-L-578-3000K-70-DALI-T	MAX 70W	Max 9,500	150	3000K		>80 or >90	TRIDONIC	DALI	21 pcs
	Generalissimo-L-578-X000K-70-DALI-T	MAX 70W	Max 11,000	160	4000K 5000K 6000K	90° 60°	>80 or >90	TRIDONIC	DALI	21 pcs
	Generalissimo-L-578-RM/MM-75-DALI-T	MAX 70W	Max 4400	65	Red Meat Marbled Meat	DS25° DS25° x 60° x 25°	>80	TRIDONIC	DALI	21 pcs
	Generalissimo-L-578-F/V-70-DALI-T	MAX 70W	Max 6100	90	fruits and vegetables	DS25° x 90° x 25° 90° x 60° x 90°	>90	TRIDONIC	DALI	21 pcs
	Generalissimo-L-578-F/B-70-DALI-T	MAX 70W	Max 7100	105	Fish Bread		>90	TRIDONIC	DALI	21pcs

Pendant

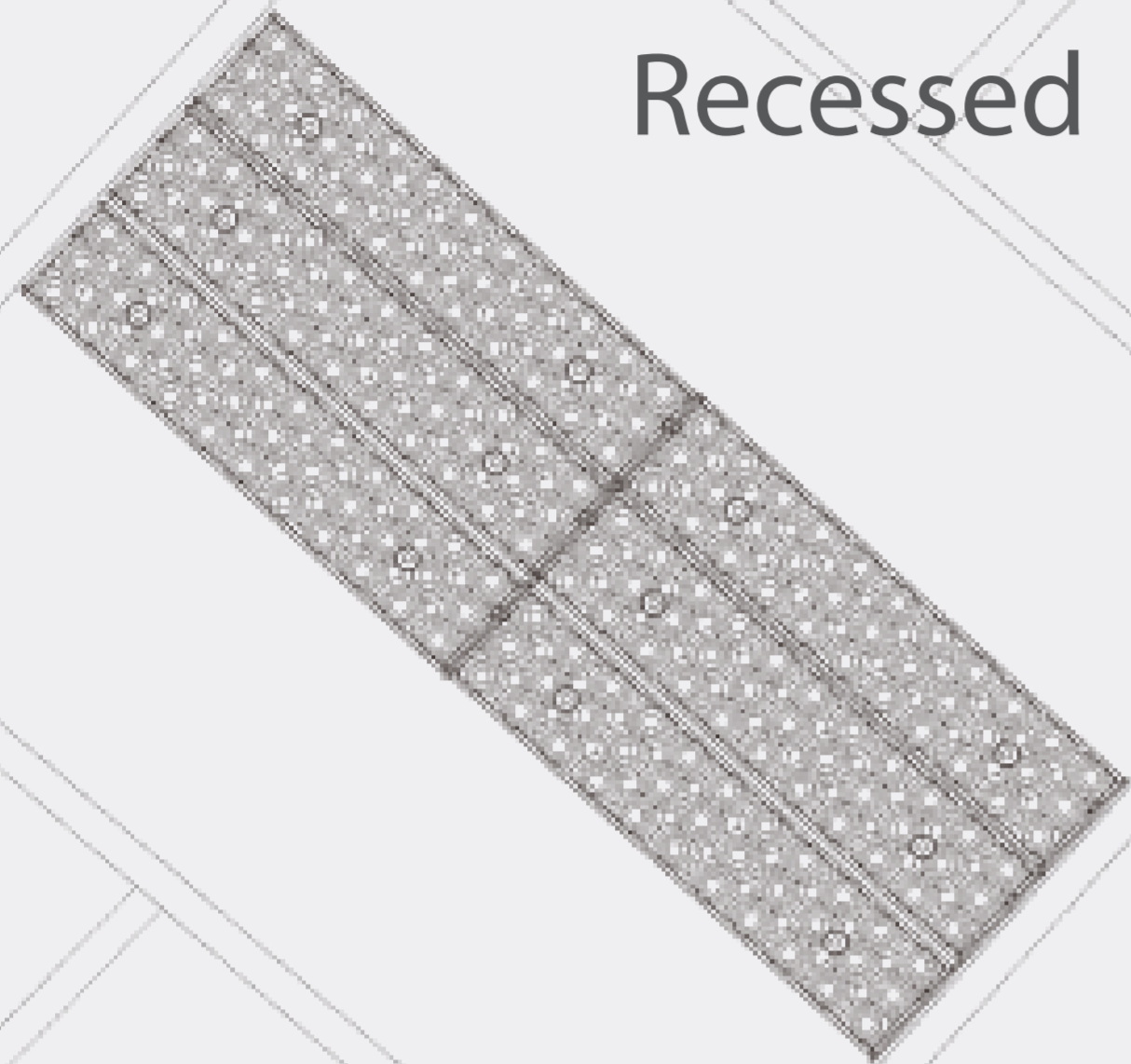


Dimensions	578 x 189 x 157 mm
Weight	2.92 kg
Input voltage	220 - 240V AC/DC
Lifetime	>70.000 h [L90, B10]
Energy efficiency class	A++
Power factor	> 0,95
Switching cycles before failure	> 500.000
Operating temperature	-25° bis +45°C
Storing temperature	-30° bis +60°C
SCDM	<3
Material	Aluminium+ PMMA
Track Adaptor	Powergear 3-Circuit





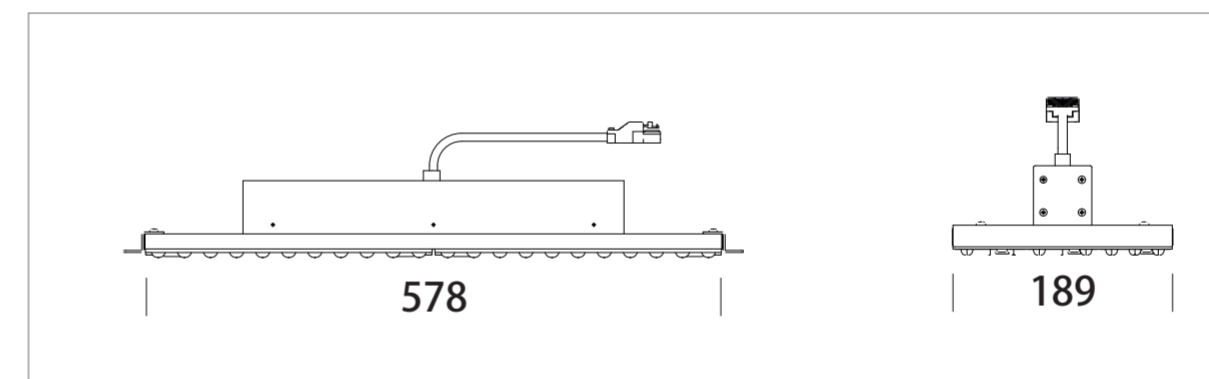
Datasheet	TYPE	POWER (W)	LUMEN (LM)	EFFICACY (LM/W)	CCT K	Beam angle	CRI RA	Driver (Brand)	Function /	MCB 16A type B /
Shape Color	Generalissimo-L-578-3000K-70AD-T	70W adjust 64W 57W 60W by switch	Max 9,500	150	3000K	90° 60° DS25° DS25° x 60° x 25° DS25° x 90° x 25° 90° x 60° x 90°	>80 or >90	TRIDONIC	Non-Dimmable	22 pcs
	Generalissimo-L-578-X000K-70AD-T	70W adjust 64W 57W 60W by switch	Max 11,000	160	4000K 5000K 6000K		>80 or >90	TRIDONIC	Non-Dimmable	22 pcs
	Generalissimo-L-578-RM/MM-75AD-T	70W adjust 64W 57W 60W by switch	Max 4400	65	Red Meat Marbled Meat		>80	TRIDONIC	Non-Dimmable	22 pcs
	Generalissimo-L-578-F/V-70AD-T	70W adjust 64W 57W 60W by switch	Max 6100	90	fruits and vegetables		>90	TRIDONIC	Non-Dimmable	22 pcs
	Generalissimo-L-578-F/B-70AD-T	70W adjust 64W 57W 60W by switch	Max 7100	105	Fish Bread		>90	TRIDONIC	Non-Dimmable	22pcs
White RAL 9016	Generalissimo-L-578-3000K-70-DALI-T	MAX 70W	Max 9,500	150	3000K		>80 or >90	TRIDONIC	DALI	21 pcs
	Generalissimo-L-578-X000K-70-DALI-T	MAX 70W	Max 11,000	160	4000K 5000K 6000K		>80 or >90	TRIDONIC	DALI	21 pcs
	Generalissimo-L-578-RM/MM-75-DALI-T	MAX 70W	Max 4400	65	Red Meat Marbled Meat		>80	TRIDONIC	DALI	21 pcs
	Generalissimo-L-578-F/V-70-DALI-T	MAX 70W	Max 6100	90	fruits and vegetables		>90	TRIDONIC	DALI	21 pcs
	Generalissimo-L-578-F/B-70-DALI-T	MAX 70W	Max 7100	105	Fish Bread		>90	TRIDONIC	DALI	21pcs
Black	Generalissimo-L-578-3000K-70-DALI-T	MAX 70W	Max 9,500	150	3000K		>80 or >90	TRIDONIC	DALI	21 pcs
	Generalissimo-L-578-X000K-70-DALI-T	MAX 70W	Max 11,000	160	4000K 5000K 6000K		>80 or >90	TRIDONIC	DALI	21 pcs
	Generalissimo-L-578-RM/MM-75-DALI-T	MAX 70W	Max 4400	65	Red Meat Marbled Meat		>80	TRIDONIC	DALI	21 pcs
	Generalissimo-L-578-F/V-70-DALI-T	MAX 70W	Max 6100	90	fruits and vegetables		>90	TRIDONIC	DALI	21 pcs
	Generalissimo-L-578-F/B-70-DALI-T	MAX 70W	Max 7100	105	Fish Bread		>90	TRIDONIC	DALI	21pcs

Recessed



Technical/Electrical Characters

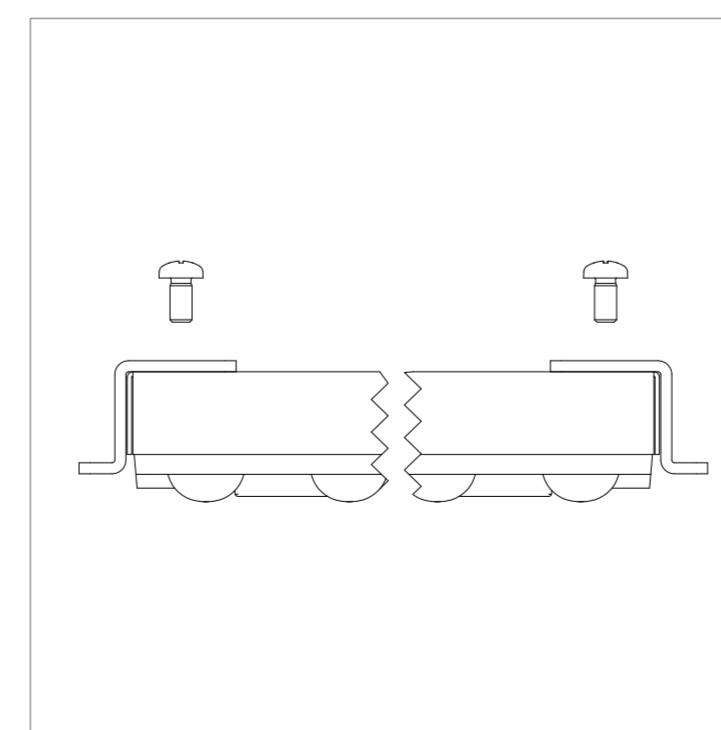
Item	Model NO.	Watt		Luminous Efficacy		EEC
1	L-578-70AD-DS25	70W/64W/57W/50W	MAX 11000	160 LM/W	DS25°	A++
2	L-578-70AD-060	70W/64W/57W/50W	MAX 11000	160 LM/W	60°	A++
3	L-578-70AD-090	70W/64W/57W/50W	MAX 11000	160 LM/W	90°	A++
4	L-578-70AD-DS25x60	70W/64W/57W/50W	MAX 11000	160 LM/W	DS25° x 60° x 25°	A++
5	L-578-70AD-DS25x90	70W/64W/57W/50W	MAX 11000	160 LM/W	DS25° x 90° x 25°	A++
6	L-578-70AD-DS90x60	70W/64W/57W/50W	MAX 11000	160 LM/W	90° x 60° x 90°	A++



Dimensions	578 x 189 x 77mm
Weight	2.92 kg
Input voltage	220 - 240V AC/DC
Lifetime	>70.000 h [L90, B10]
Energy efficiency class	A++
Power factor	> 0,95
Switching cycles before failure	> 500.000
Operating temperature	-25° bis +45°C
Storing temperature	-30° bis +60°C
SCDM	<3
Material	Aluminium+ PMMA
Connector	GST plug 18/3 / GST plug 18/5

ACCESSORIES

With visible supporting profile, 2 x mounting brackets,



625 MM

P01-00 White

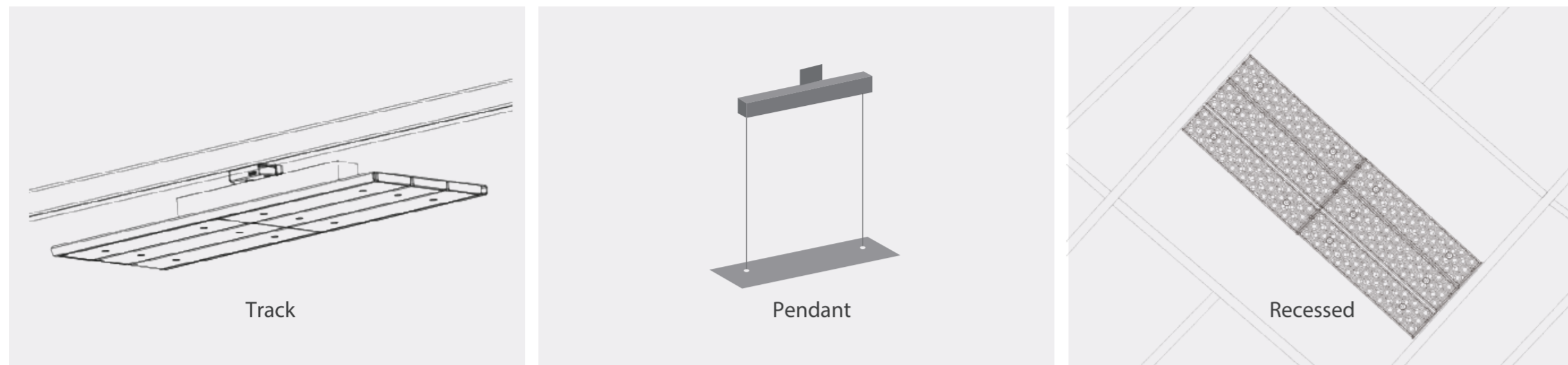
P01-01 Black

600 MM

P01-02 White

P01-03 Black

Installation



● Package

Code	Outer Carton	Qty/Carton	Unit N.W	G.W/Carton
P01	645 x 240 x 200mm	1Pcs	2.9kg	3.2Kg



! Caution

- ※ In case of electric shock, please make sure the power is off before installation.
- ※ The lamp should be installed and operated by a qualified electrician or technician in accordance with relevant local codes.
- ※ Do not use sharp tools near or on the surface of the lamp.
- ※ Unpack and examine the product carefully. Report any damage and save all packing materials if any portion of the product was damaged during transportation.