

# TUBES KNIGHT

LED BATTEN LIGHT



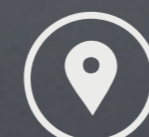
**Replace Fluorescent Batten**



+370 600 93 111



[www.ledesta.eu](http://www.ledesta.eu)



Sandėlių g.44, Vilnius



[sales@ledesta.eu](mailto:sales@ledesta.eu)

# Feature

Easy to open and install



Just push by a screwdriver

## Feature

Perfect Combination For Stock

**One Lamp = 12 Lamps**

**CCT Dipswitch**

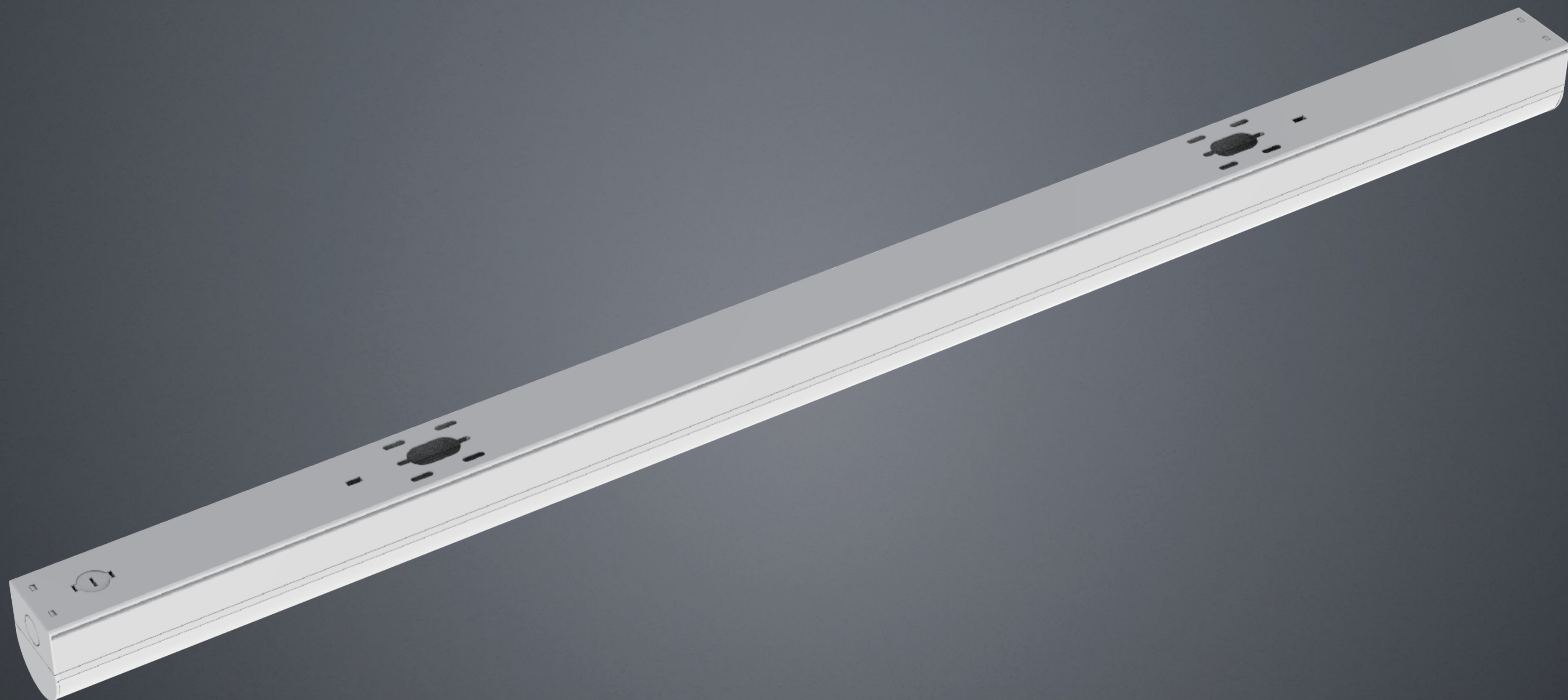
**Wattage Adjustment**



# Philips

# Osram

With our warranty promise up to 5 or 7 years, We only use the highest quality components , such as Philips, Osram, etc. It's extremely easy to select the power range by setting the DIP switch.



Shop  
Office  
School  
Train station  
Exhibition hall  
Factory  
Warehouse  
Residence  
Hospitals  
Airport





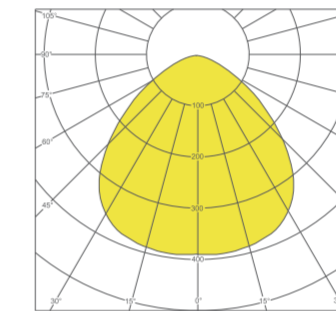
General Information

Dimensions	600 x56 x68 mm
Weight	0.75kg
Material	Aluminium+ PC
Optical cover	Opal
Housing	White RAL 9016
Protection class IEC	Safety class I
Protection class	IP20(front IP40)
Operating temperature	-20° + 40°C
Storing temperature	-25° + 65°C

Input voltage	220 - 240V AC
Input Frequency	50 or 60 Hz
Power Factor	> 0,9
Switching cycles before failure	> 500.000
Dimmable	NO

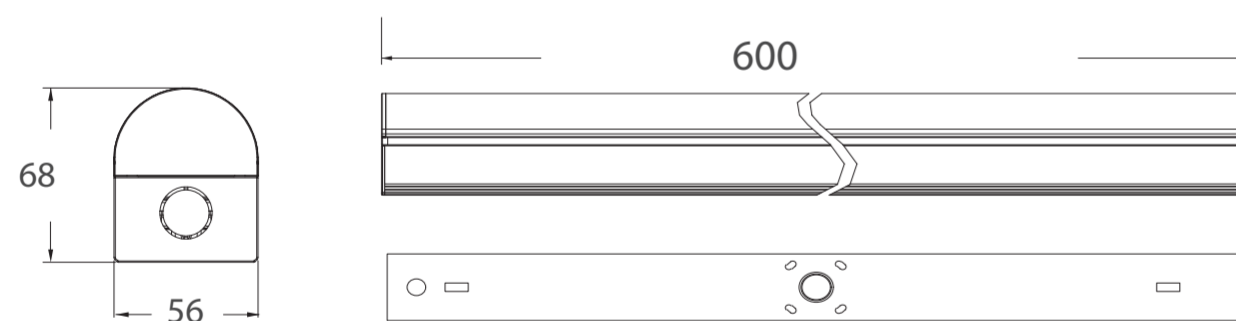
Warranty period	5 years
L90 B10	>70000 hours

SDCM	< 5 SDCM
CRI	Ra>80
Energy efficiency class	A++
Initial LED luminaire efficacy	130 lm/w



130°( FF)

Dimension (mm)



Datasheet

TYPE	POWER (w)	LUMEN (LM)	EFFICACY (LM/W)	CCT κ	Driver (Brand)	Function
KNIGHT-600-3000K-20AD	20W adjust 17W 14W 11W by switch	Max 2400	120	3000K	Philips	Non-Dimmable
KNIGHT-600-4000K-20AD	20W adjust 17W 14W 11W by switch	Max 2600	130	4000K	Philips	Non-Dimmable
KNIGHT-600-5000K-20AD	20W adjust 17W 14W 11W by switch	Max 2600	130	5000K	Philips	Non-Dimmable
KNIGHT-600-6000K-20AD	20W adjust 17W 14W 11W by switch	Max 2600	130	6000K	Philips	Non-Dimmable
KNIGHT-600-Tri-Color1-20AD	20W adjust 17W 14W 11W by switch	Max 2600	130	3000K-4000K-5000K by Switch	Philips	Non-Dimmable
KNIGHT-600-Tri-Color2-20AD	20W adjust 17W 14W 11W by switch	Max 2600	130	3000K-4500K-6000K by Switch	Philips	Non-Dimmable
KNIGHT-600-Tri-Color3-20AD	20W adjust 17W 14W 11W by switch	Max 2600	130	4000K-5000K-6000K by Switch	Philips	Non-Dimmable

Maximum loading of automatic circuit breakers

Driver	Product code	Inrush current I peak	Inrush current T width	MCB B type 4A	MCB B type 6A	MCB B type 10A	MCB B type 13A	MCB B type 16A	MCB B type 20A	MCB B type 25A	MCB B type 32A	MCB B type 40A	MCB C type 4A	MCB C type 6A	MCB C type 10A	MCB C type 13A	MCB C type 16A	MCB C type 20A	MCB C type 25A	MCB C type 32A	MCB C type 40A
Philips	KNIGHT-L600-20-P	3.58A	40 μs	20	24	50	64	80	100	124	160	200	33	50	84	108	136	166	208	272	332



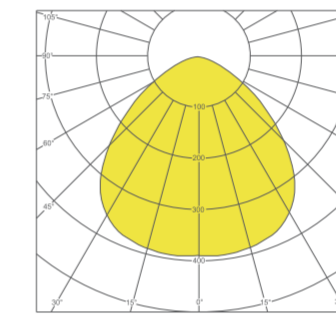
General Information

Dimensions	1150 x56 x68 mm
Weight	1.2 kg
Material	Aluminium+ PC
Optical cover	Opal
Housing	White RAL 9016
Protection class IEC	Safety class I
Protection class	IP20(front IP40)
Operating temperature	-20° + 40°C
Storing temperature	-25° + 65°C

Input voltage	220 - 240V AC
Input Frequency	50 or 60 Hz
Power Factor	> 0,95
Switching cycles before failure	> 500.000
Dimmable	NO

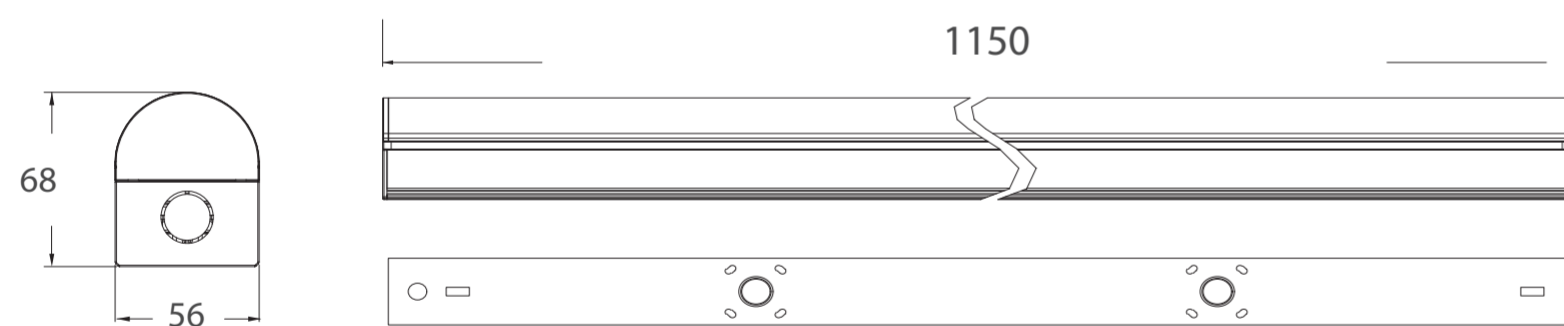
Warranty period	5 years
L90 B10	>70000 hours

SDCM	< 5 SDCM
CRI	Ra>80
Energy efficiency class	A++
Initial LED luminaire efficacy	140 lm/w



130°( FF)

Dimension (mm)



Datasheet

TYPE	POWER (W)	LUMEN (LM)	EFFICACY (LM/W)	CCT (K)	Driver (Brand)	Function
KNIGHT-1200-3000K-35AD	35W adjust 30W 25W 20W by switch	Max 4400	130	3000K	Philips	Non-Dimmable
KNIGHT-1200-4000K-35AD	35W adjust 30W 25W 20W by switch	Max 4800	140	4000K	Philips	Non-Dimmable
KNIGHT-1200-5000K-35AD	35W adjust 30W 25W 20W by switch	Max 4800	140	5000K	Philips	Non-Dimmable
KNIGHT-1200-6000K-35AD	35W adjust 30W 25W 20W by switch	Max 4800	140	6000K	Philips	Non-Dimmable
KNIGHT-1200-Tri-Color1-35AD	35W adjust 30W 25W 20W by switch	Max 4800	140	3000K-4000K-5000K by Switch	Philips	Non-Dimmable
KNIGHT-1200-Tri-Color2-35AD	35W adjust 30W 25W 20W by switch	Max 4800	140	3000K-4500K-6000K by Switch	Philips	Non-Dimmable
KNIGHT-1200-Tri-Color3-35AD	35W adjust 30W 25W 20W by switch	Max 4800	140	4000K-5000K-6000K by Switch	Philips	Non-Dimmable

Maximum loading of automatic circuit breakers

Driver	Product code	Inrush current I peak	Inrush current T width	MCB B type 4A	MCB B type 6A	MCB B type 10A	MCB B type 13A	MCB B type 16A	MCB B type 20A	MCB B type 25A	MCB B type 32A	MCB B type 40A	MCB C type 4A	MCB C type 6A	MCB C type 10A	MCB C type 13A	MCB C type 16A	MCB C type 20A	MCB C type 25A	MCB C type 32A	MCB C type 40A
Philips	KNIGHT-L1200-35-P	19.2A	134 µs	11	18	28	37	46	57	71	92	115	19	28	47	62	78	95	119	156	190





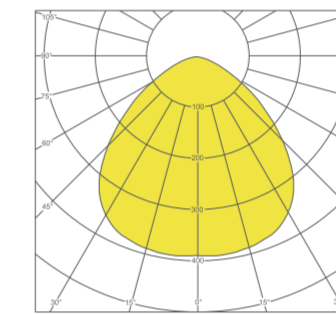
General Information

Dimensions	1450 x56 x68 mm
Weight	1.5 kg
Material	Aluminium+ PC
Optical cover	Opal
Housing	White RAL 9016
Protection class IEC	Safety class I
Protection class	IP20(front IP40)
Operating temperature	-20° + 40°C
Storing temperature	-25° + 65°C

Input voltage	220 - 240V AC
Input Frequency	50 or 60 Hz
Power Factor	> 0,95
Switching cycles before failure	> 500.000
Dimmable	NO

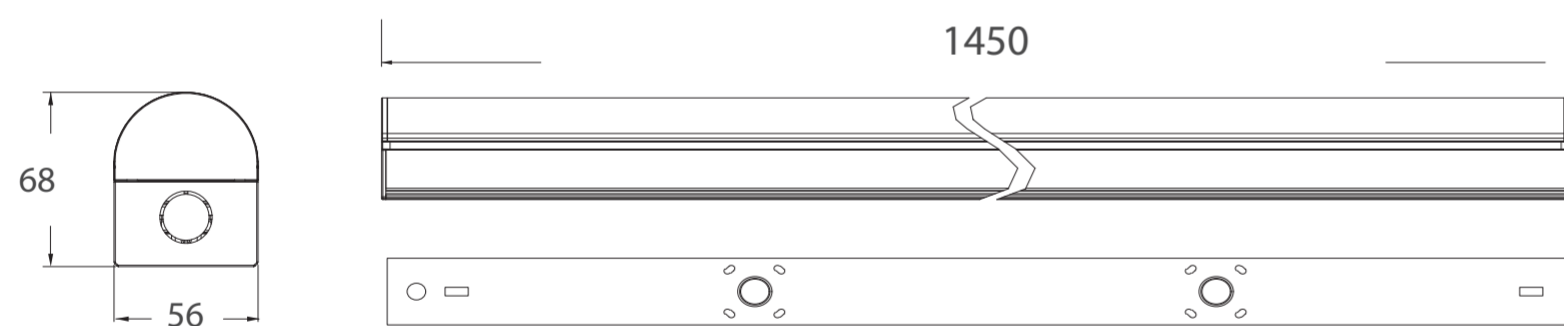
Warranty period	5 years
L90 B10	>70000 hours

SDCM	< 5 SDCM
CRI	Ra>80
Energy efficiency class	A++
Initial LED luminaire efficacy	140 lm/w



130°( FF)

Dimension (mm)



Datasheet

TYPE	POWER (W)	LUMEN (LM)	EFFICACY (LM/W)	CCT (K)	Driver (Brand)	Function
KNIGHT-L1500-3000K-58AD	58W adjust 50W 42W 32W by switch	Max 7500	130	3000K	Philips/Osram	Non-Dimmable
KNIGHT-L1500-4000K-58AD	58W adjust 50W 42W 32W by switch	Max 8100	140	4000K	Philips/Osram	Non-Dimmable
KNIGHT-L1500-5000K-58AD	58W adjust 50W 42W 32W by switch	Max 8100	140	5000K	Philips/Osram	Non-Dimmable
KNIGHT-L1500-6000K-58AD	58W adjust 50W 42W 32W by switch	Max 8100	140	6000K	Philips/Osram	Non-Dimmable
KNIGHT-L1500-Tri-Color1-50AD	50W adjust 42W 34W 27W by switch	Max 7000	140	3000K-4000K-5000K by Switch	Philips/Osram	Non-Dimmable
KNIGHT-L1500-Tri-Color2-50AD	50W adjust 42W 34W 27W by switch	Max 7000	140	3000K-4500K-6000K by Switch	Philips/Osram	Non-Dimmable
KNIGHT-L1500-Tri-Color3-50AD	50W adjust 42W 34W 27W by switch	Max 7000	140	4000K-5000K-6000K by Switch	Philips/Osram	Non-Dimmable

Maximum loading of automatic circuit breakers

Driver	Product code	Inrush current I peak	Inrush current T width	MCB B type 4A	MCB B type 6A	MCB B type 10A	MCB B type 13A	MCB B type 16A	MCB B type 20A	MCB B type 25A	MCB B type 32A	MCB B type 40A	MCB C type 4A	MCB C type 6A	MCB C type 10A	MCB C type 13A	MCB C type 16A	MCB C type 20A	MCB C type 25A	MCB C type 32A	MCB C type 40A
Philips	KNIGHT-L1500-58/50-P	28.2A	134 µs	7	12	19	25	31	38	48	62	77	13	19	32	41	52	64	80	105	128
Osram	KNIGHT-L1500-58/50-S	30A	200 µs	4	7	12	15	19	23	30	38	47	8	12	20	25	32	40	50	64	78



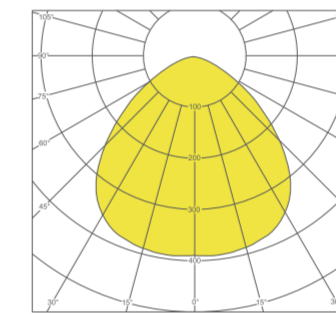
General Information

Dimensions	1750 x56 x68 mm
Weight	1.8 kg
Material	Aluminium+ PC
Optical cover	Opal
Housing	White RAL 9016
Protection class IEC	Safety class I
Protection class	IP20(front IP40)
Operating temperature	-20° + 40°C
Storing temperature	-25° + 65°C

Input voltage	220 - 240V AC
Input Frequency	50 or 60 Hz
Power Factor	> 0,95
Switching cycles before failure	> 500.000
Dimmable	NO

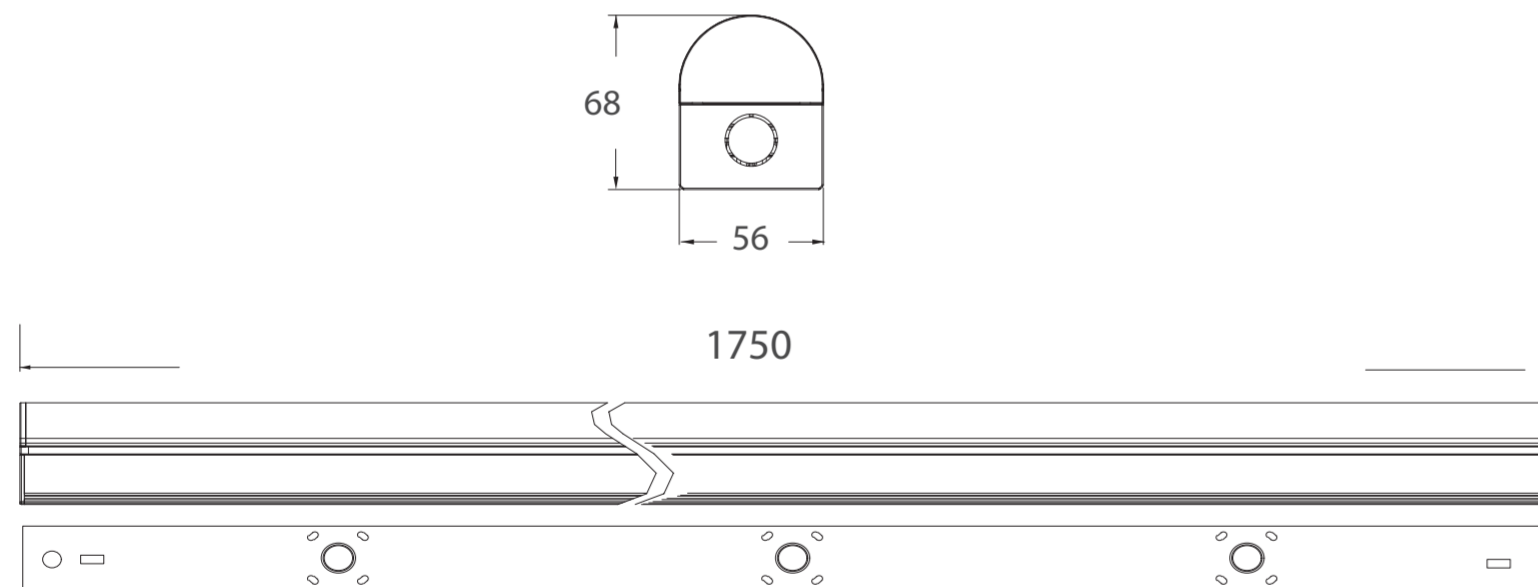
Warranty period	5 years
L90 B10	>70000 hours

SDCM	< 5 SDCM
CRI	Ra>80
Energy efficiency class	A++
Initial LED luminaire efficacy	140 lm/w



130°( FF)

Dimension (mm)



Datasheet

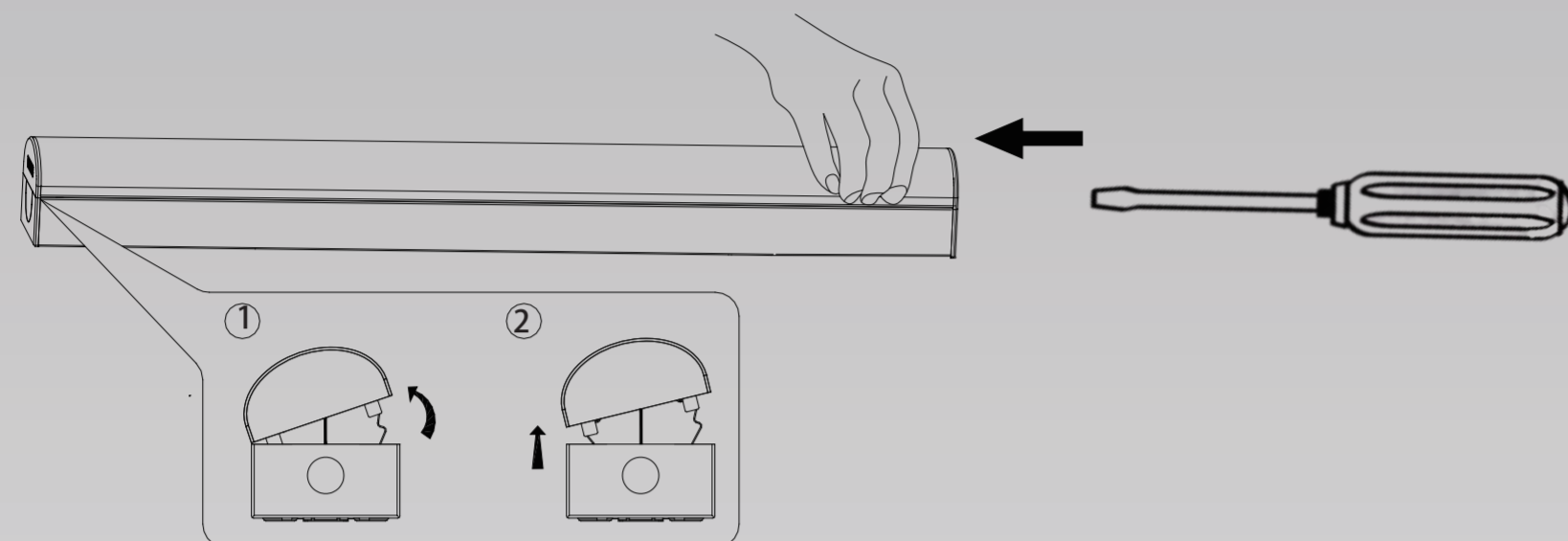
TYPE	POWER (W)	LUMEN (LM)	EFFICACY (LM/W)	CCT (K)	Driver (Brand)	Function
KNIGHT-L1800-3000K-70AD	70W adjust 60W 50W 40W by switch	Max 9100	130	3000K	Philips/Osram	Non-Dimmable
KNIGHT-L1800-4000K-70AD	70W adjust 60W 50W 40W by switch	Max 9800	140	4000K	Philips/Osram	Non-Dimmable
KNIGHT-L1800-5000K-70AD	70W adjust 60W 50W 40W by switch	Max 9800	140	5000K	Philips/Osram	Non-Dimmable
KNIGHT-L1800-6000K-70AD	70W adjust 60W 50W 40W by switch	Max 9800	140	6000K	Philips/Osram	Non-Dimmable

Maximum loading of automatic circuit breakers

Driver	Product code	Inrush current I peak	Inrush current T width	MCB B type 4A	MCB B type 6A	MCB B type 10A	MCB B type 13A	MCB B type 16A	MCB B type 20A	MCB B type 25A	MCB B type 32A	MCB B type 40A	MCB C type 4A	MCB C type 6A	MCB C type 10A	MCB C type 13A	MCB C type 16A	MCB C type 20A	MCB C type 25A	MCB C type 32A	MCB C type 40A
Philips	KNIGHT-L1800-70-P	28.2A	134 µs	7	12	19	25	31	38	48	62	77	13	19	32	41	52	64	80	105	128
Osram	KNIGHT-L1800-70-S	30A	200 µs	4	7	12	15	19	23	30	38	47	8	12	20	25	32	40	50	64	78

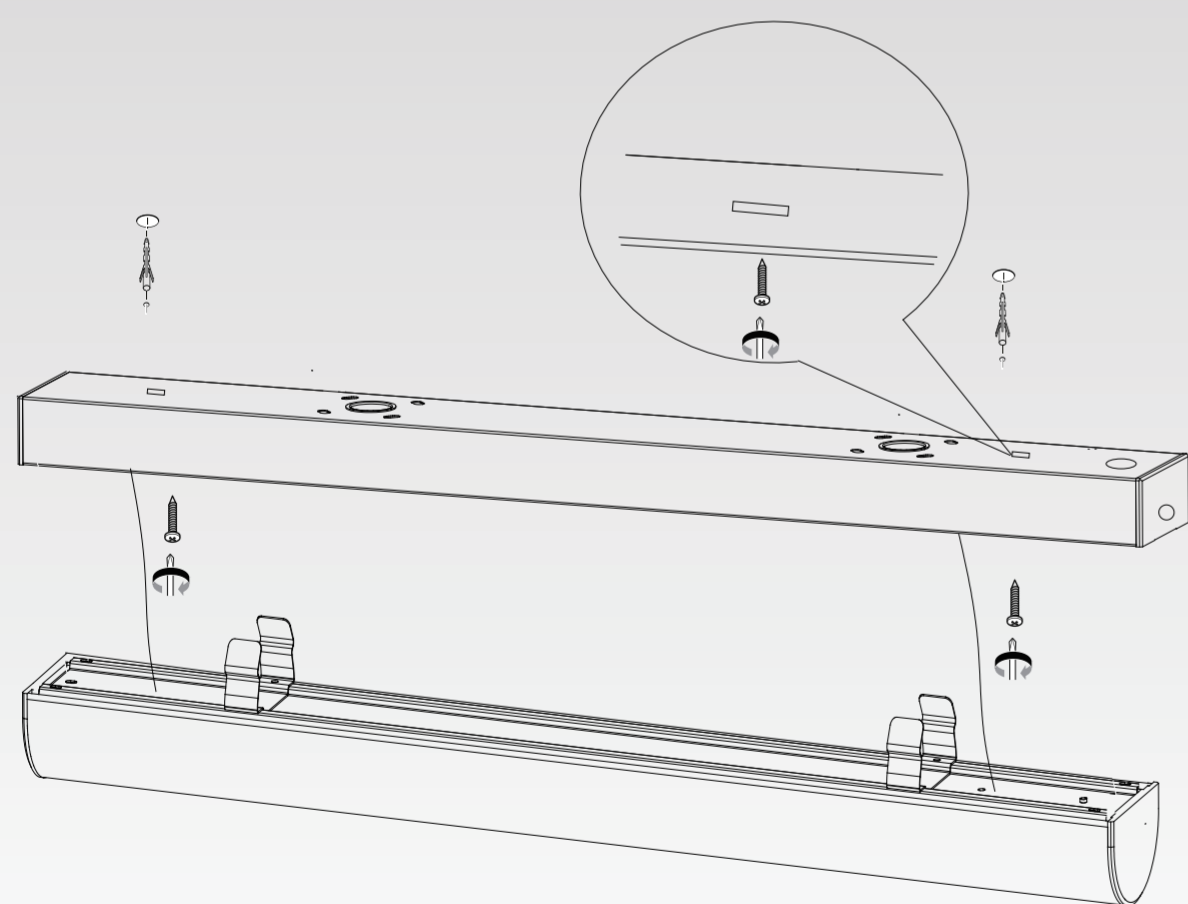
## Installation

### 1 Open the light with a driverscrew

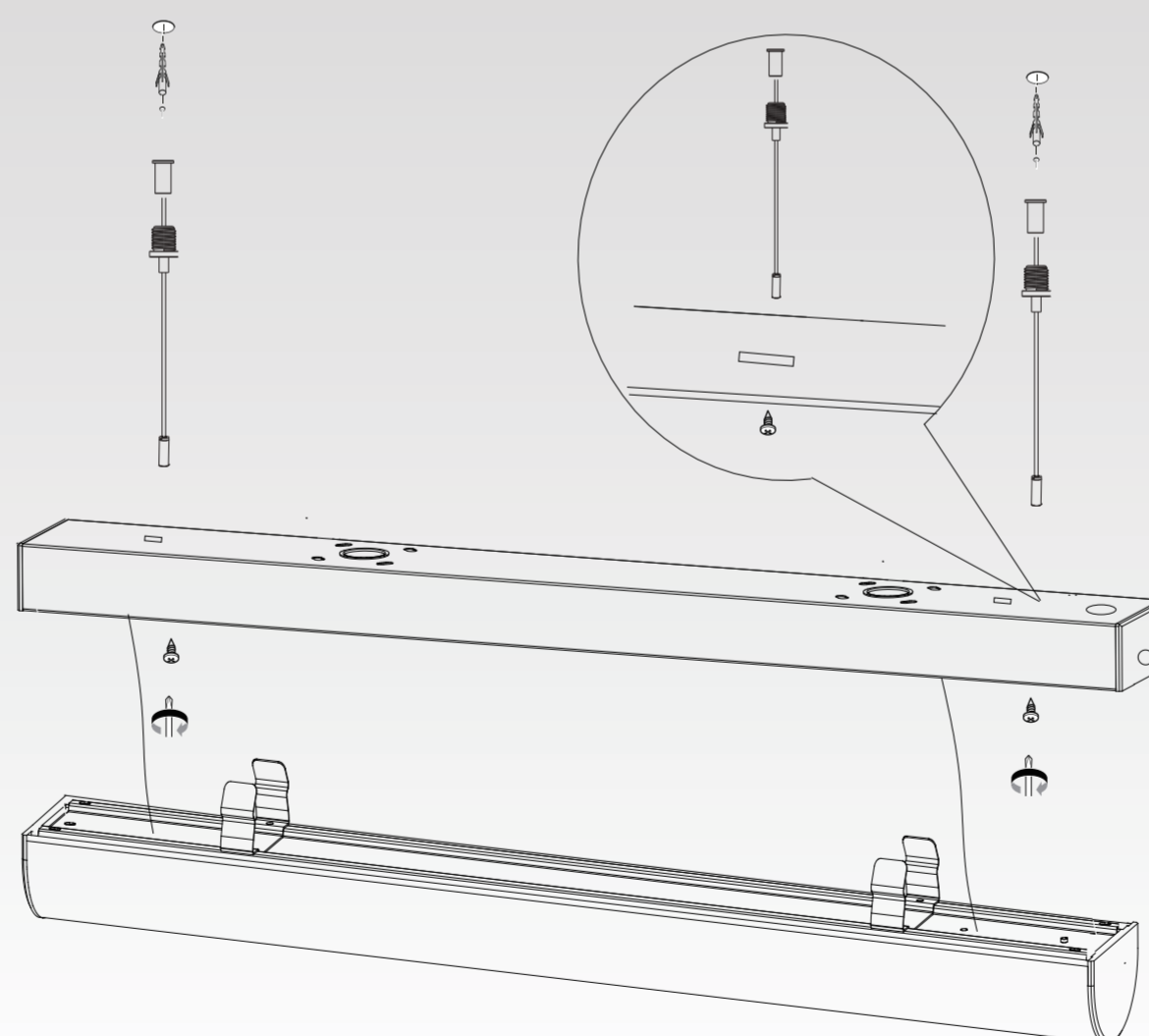


### 2

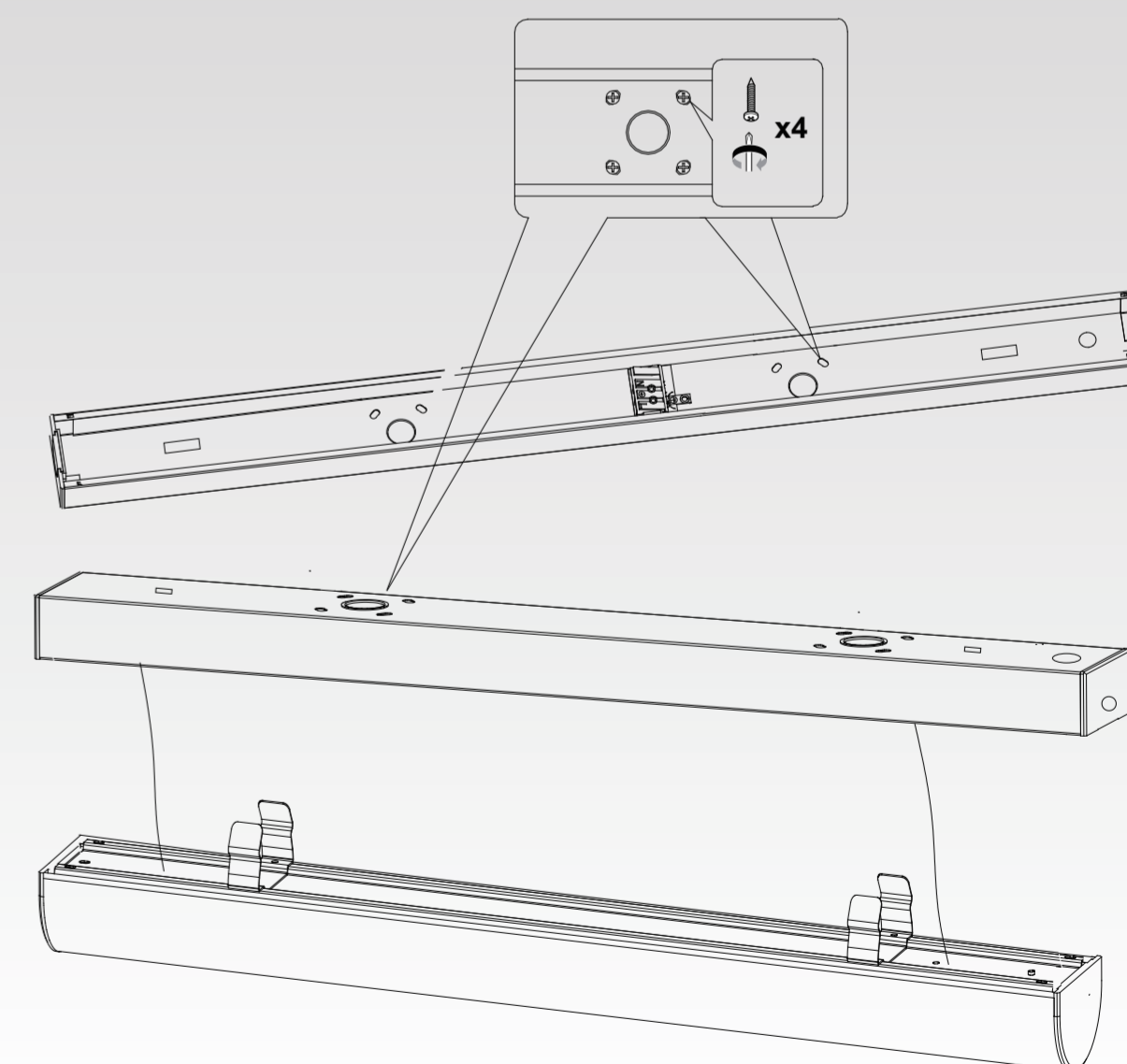
#### Surface Mounted



#### Suspend Mounted

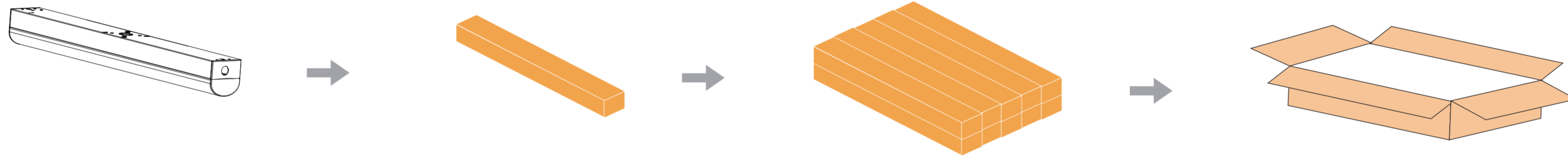


#### Mounted with BESA



## Package

Length	Single Box	Outer Carton	Qty/Carton	Unit N.W	G.W/Carton
600mm	1Pcs	635 x 390 x 200mm	15Pcs	750g	13Kg
1200mm	1Pcs	1175 x 390 x 140mm	10Pcs	1200g	14.5Kg
1500mm	1Pcs	1475 x 390 x 140mm	10Pcs	1500g	18Kg
1800mm	1Pcs	1775 x 240 x 200mm	9Pcs	1800g	19Kg



### ! Caution

- ⌘ In case of electric shock, please make sure the power is off before installation.
- ⌘ The lamp should be installed and operated by a qualified electrician or technician in accordance with relevant local codes.
- ⌘ Do not use sharp tools near or on the surface of the lamp.
- ⌘ Unpack and examine the product carefully. Report any damage and save all packing materials if any portion of the product was damaged during transportation.