



Combat 58 series Led Street Light

Street lighting is a core piece of urban and rural infrastructure. Lighting helps to create a safe environment for both pedestrians and drivers. Many streetlights around the world are now being updated to LED lighting, which uses less energy and is more reliable than traditional sodium lamps, significantly reducing the cost of keeping streets illuminated.

Designed from the ground up as a totally optimized LED street and area lighting system, our street light delivers incredible efficiency without sacrificing application performance.



Combat 58



Street Light

IP66, IK08

6~20kv Surge Protection

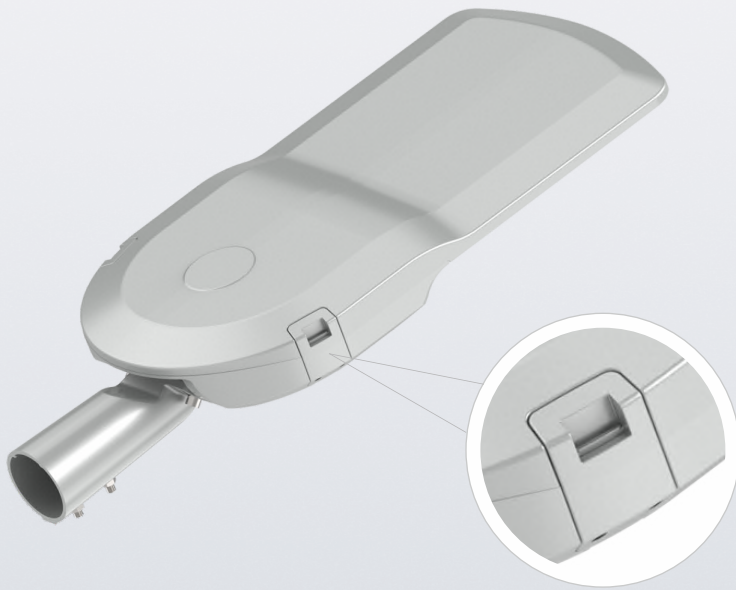
High bright 160lm/w



Tempered Glass
PMMA lens

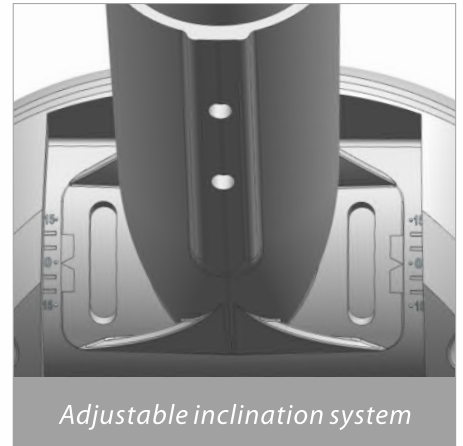
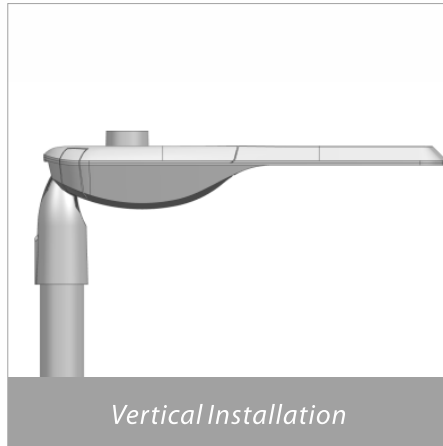
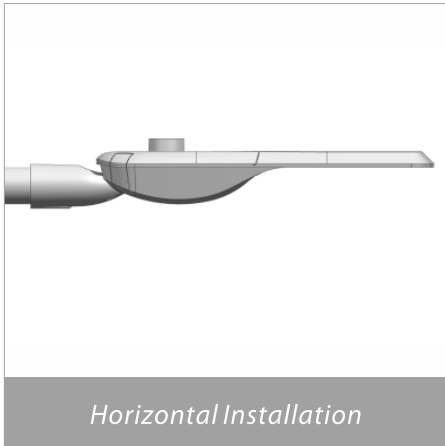


Smooth back cover design
Anti-dust and bird droppings



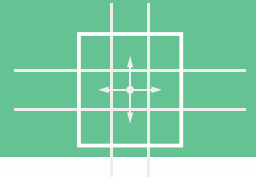
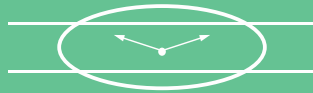
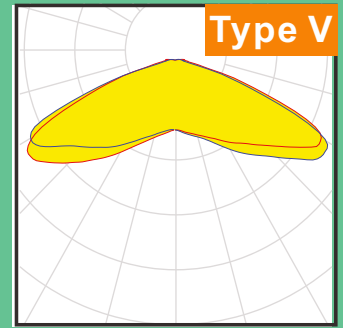
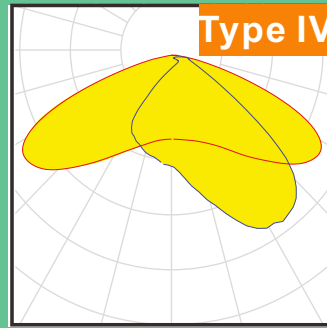
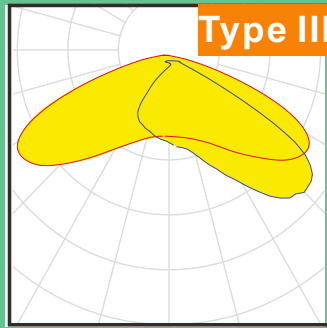
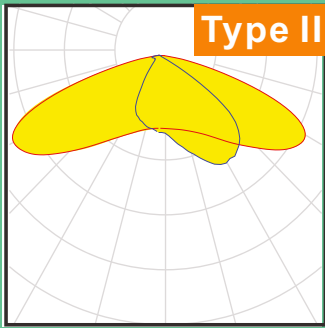
Tool-free open design
Easy to rewire and repair

Precise Angle Rotation



IP66 Waterproof
6kv/20kv Surge Protection

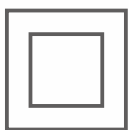
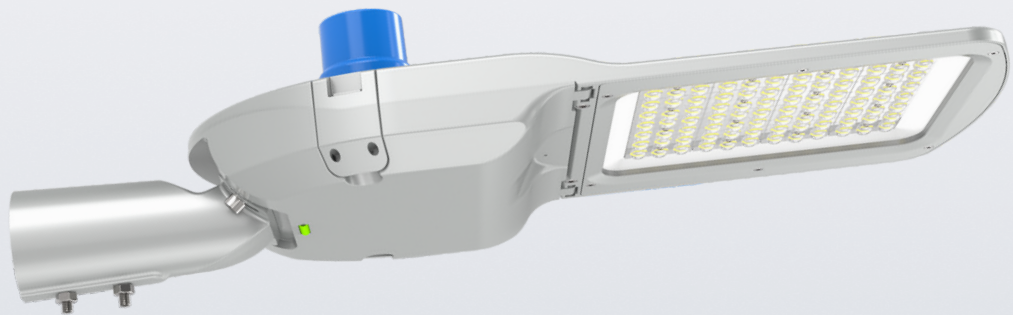
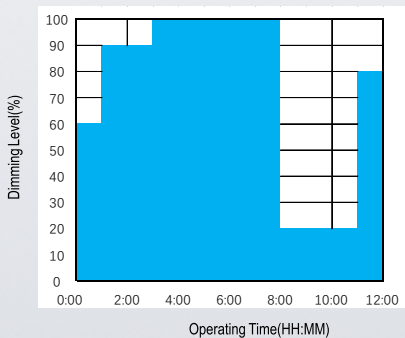




IESNA STANDARD	Roadway width / Mounting Height	
	One side mounting	Both side mounting
Type II	Up to 1 times MH	Up to 2 times MH
Type III	Up to 1.5 times MH	Up to 3 times MH
Type IV	Up to 2 times MH	Up to 4 times MH
Type V	Up to 4 times MH	

Auto dimming & Timming function

Easy to manage, more saving



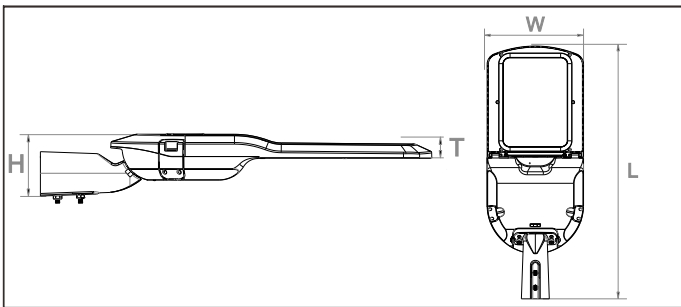
Class II

Class II is sometimes known as “double insulated”. This is an IEC protection class and refers to the power supply’s internal construction and electrical insulation. The output is considered safe to contact and no major safety protection is required at the LED/luminaire level. There is no risk of fire or electric shock.



Features

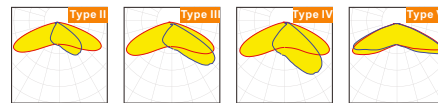
Housing: Die-cast Aluminum
 Thermal Conductivity: 96 W/m·K
 Led: CREE
 CRI: Ra>70
 SDCM: <6
 Power Factor: >0.95
 THD: <15
 Driver: Meanwell XLG
 Driver Efficiency: >90%
 Protection: OTP, OCP, OVP, SCP
 Surge Protection: 6KV
 Waterproof: IP66
 Impact Test: IK08
 Electrical: 100-277V, 50/60Hz
 Operating Temperature: -40~50°C
 TM21: L90B10>100,000H
 Lifetime: 100,000H



Functions

DALI · 0/1~10V · Timing · Program · Always-on Auxiliary

Optical options:



140
~160lm/w

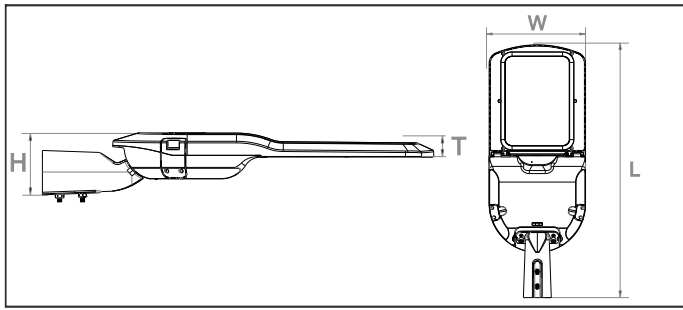
5 YEARS
WARRANTY

Meanwell
Driver

CREE
LED

Model	Watt	Voltage	Lumen	CRI	IP	Dimension
CMBT58-N1-24	24W	100~277V	3840LM	>70	IP66	L568*W200*H109mm
CMBT58-N1-40	40W	100~277V	6400LM	>70	IP66	L568*W200*H109mm
CMBT58-N1-60	60W	100~277V	9000LM	>70	IP66	L568*W200*H109mm
CMBT58-N2-80	80W	100~277V	12000LM	>70	IP66	L613*W240*H109mm
CMBT58-N2-100	100W	100~277V	15000LM	>70	IP66	L613*W240*H109mm
CMBT58-N2-120	120W	100~277V	16800LM	>70	IP66	L613*W240*H109mm
CMBT58-N3-150	150W	100~277V	21000LM	>70	IP66	L683*W260*H109mm
CMBT58-N4-180	180W	100~277V	25200LM	>70	IP66	L693*W300*H109mm
CMBT58-N4-200	200W	100~277V	28000LM	>70	IP66	L693*W300*H109mm

Packing



Luminaire

Model	Dimension (mm)	Outer Carton(mm)			QTY / Outer CTN	Luminaire	
		L	W	H		NW(kg)	GW(kg)
CMBT58-N1-24	568*200*109	623	255	150	1	3.50	4.57
CMBT58-N1-40	568*200*109	623	255	150	1	3.50	4.57
CMBT58-N1-60	568*200*109	623	255	150	1	3.50	4.57
CMBT58-N2-80	613*240*109	666	295	150	1	4.57	5.27
CMBT58-N2-100	613*240*109	666	295	150	1	4.57	5.27
CMBT58-N2-120	613*240*109	666	295	150	1	4.57	5.27
CMBT58-N3-150	683*260*109	736	315	150	1	5.77	6.56
CMBT58-N4-180	693*300*109	747	355	150	1	6.04	6.92
CMBT58-N4-200	693*300*109	747	355	150	1	6.04	6.92