



## COMBAT33 series Led Street Light

Street lighting is a core piece of urban and rural infrastructure. Lighting helps to create a safe environment for both pedestrians and drivers. Many streetlights around the world are now being updated to LED lighting, which uses less energy and is more reliable than traditional sodium lamps, significantly reducing the cost of keeping streets illuminated.

Designed from the ground up as a totally optimized LED street and area lighting system, our street light delivers incredible efficiency without sacrificing



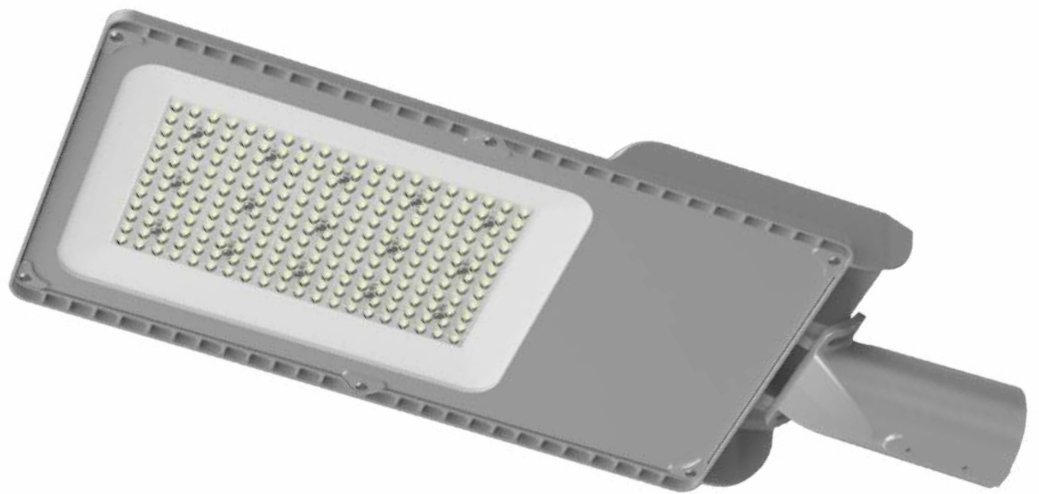
## Street Light

IP66, IK08

6~20kv Surge Protection

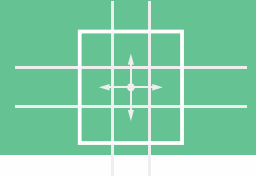
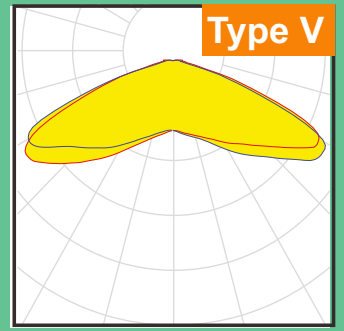
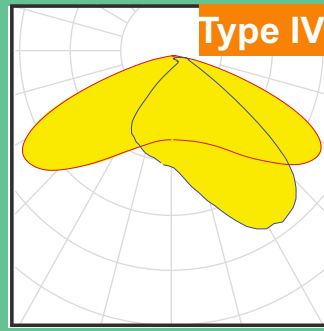
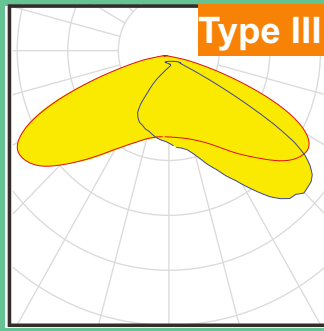
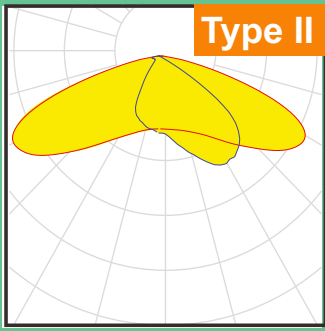
High bright 160lm/w

Tempered Glass  
PMMA lens



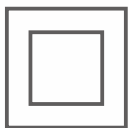
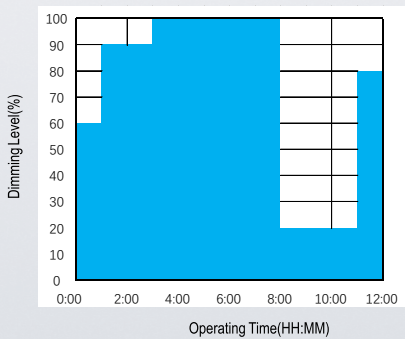
Smooth back cover design

Eliminate the risk of dust and bird droppings



IESNA STANDARD	Roadway width / Mounting Height	
	One side mounting	Both side mounting
Type II	Up to 1 times MH	Up to 2 times MH
Type III	Up to 1.5 times MH	Up to 3 times MH
Type IV	Up to 2 times MH	Up to 4 times MH
Type V	Up to 4 times MH	

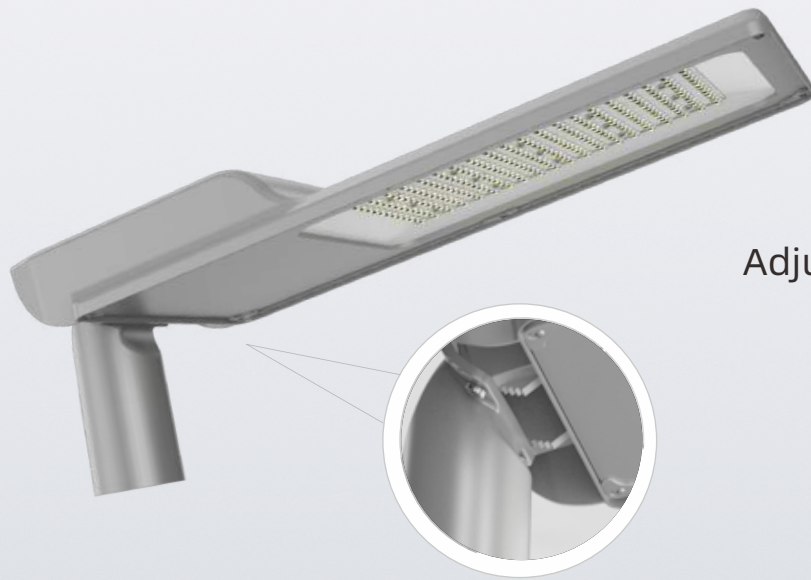
Auto dimming & Timming function  
Easy to manage, more saving



Class II

Class II is sometimes known as "double insulated". This is an IEC protection class and refers to the power supply's internal construction and electrical insulation. The output is considered safe to contact and no major safety protection is required at the LED/luminaire level. There is no risk of fire or electric shock.





Adjustable inclination system

Precise Angle Rotation



*Horizontal Installation*



*Vertical Installation*

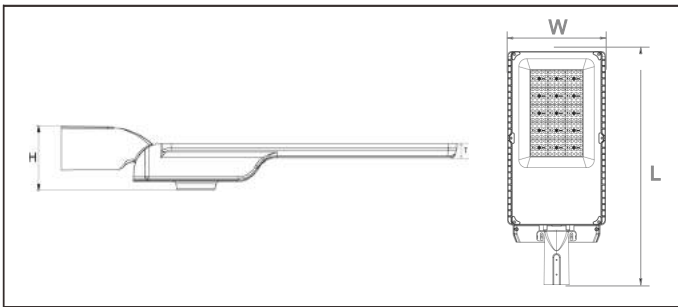
IP66 Waterproof  
6kv/20kv Surge Protection





## Features

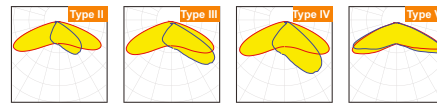
Housing: Die-cast Aluminum  
 Thermal Conductivity: 96 W/m·K  
 Led: PHILIPS  
 CRI: Ra>70  
 SDCM: <6  
 Power Factor: >0.95  
 THD: <15  
 Driver: Meanwell XLG  
 Driver Efficiency: >90%  
 Protection: OTP, OCP, OVP, SCP  
 Surge Protection: 6KV  
 Waterproof: IP66  
 Impact Test: IK08  
 Electrical: 100-277V, 50/60Hz  
 Operating Temperature: -40~50°C  
 TM21: L90B10  
 Lifetime: 100,000H



## Functions

DALI · 0/1~10V · Timing · Program · Always-on Auxiliary

## Optical options:



150  
~160lm/w

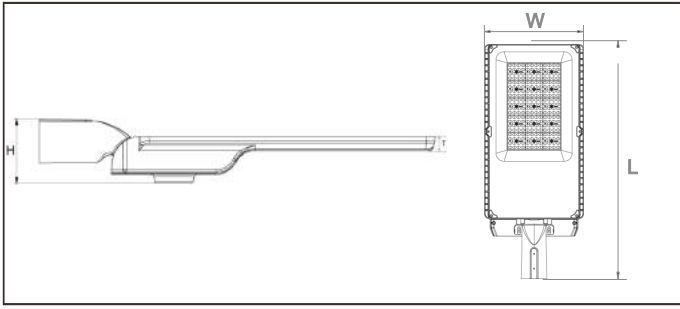
5 YEARS  
WARRANTY

Meanwell  
Driver

PHILIPS  
LED

Model	Watt	Voltage	Lumen	CRI	IP	Dimension
CMBT33-N1-24	24W	100~277V	3840LM	>70	IP66	L515*W190*H99mm
CMBT33-N1-40	40W	100~277V	6400LM	>70	IP66	L515*W190*H99mm
CMBT33-N1-50	50W	100~277V	7500LM	>70	IP66	L515*W190*H99mm
CMBT33-N2-80	80W	100~277V	12800LM	>70	IP66	L575*W242*H109mm
CMBT33-N2-100	100W	100~277V	15000LM	>70	IP66	L575*W242*H109mm
CMBT33-N3-120	120W	100~277V	18000LM	>70	IP66	L615*W262*H109mm
CMBT33-N3-150	150W	100~277V	22500LM	>70	IP66	L615*W262*H109mm
CMBT33-N4-180	180W	100~277V	27000LM	>70	IP66	L685*W287*H109mm
CMBT33-N4-200	200W	100~277V	30000LM	>70	IP66	L685*W287*H109mm

# Packing



## Luminaire

Model	Dimension (mm)	Outer Carton(mm)			QTY / Outer CTN	Luminaire	
		L	W	H		NW(kg)	GW(kg)
CMBT33-N1-24	515*190*99	587	260	175	1	2.40	3.00
CMBT33-N1-40	515*190*99	587	260	175	1	2.40	3.00
CMBT33-N1-50	515*190*99	587	260	175	1	2.40	3.00
CMBT33-N2-80	575*242*109	646	312	185	1	3.60	4.40
CMBT33-N2-100	575*242*109	646	312	185	1	3.60	4.40
CMBT33-N3-120	615*262*109	686	332	185	1	4.05	4.80
CMBT33-N3-150	615*262*109	686	332	185	1	4.05	4.80
CMBT33-N4-180	685*287*109	766	357	185	1	5.30	6.50
CMBT33-N4-200	685*287*109	766	357	185	1	5.30	6.50