

LED Tri-proof light



CE RoHS

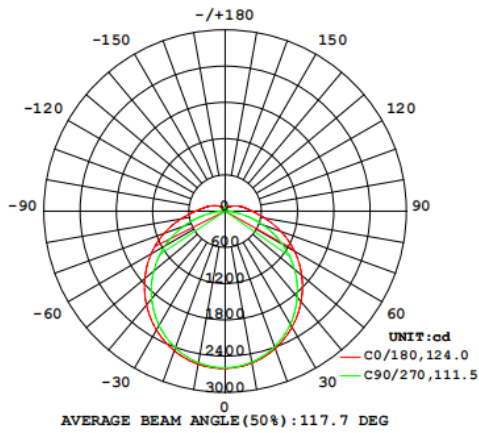
160LM/W

Structure Performance

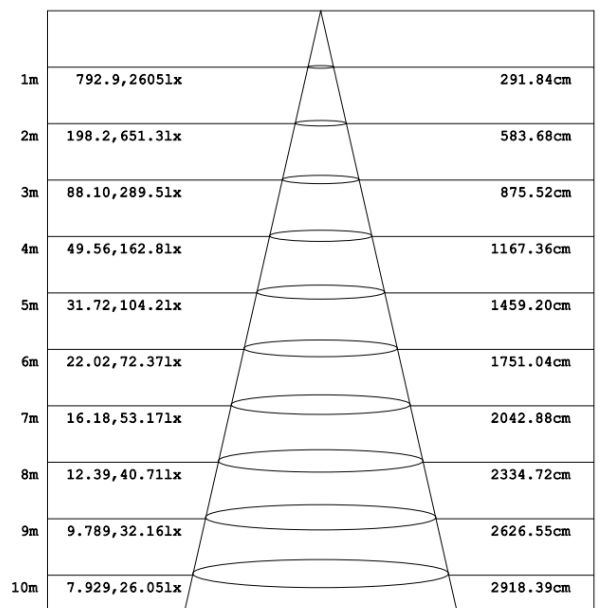
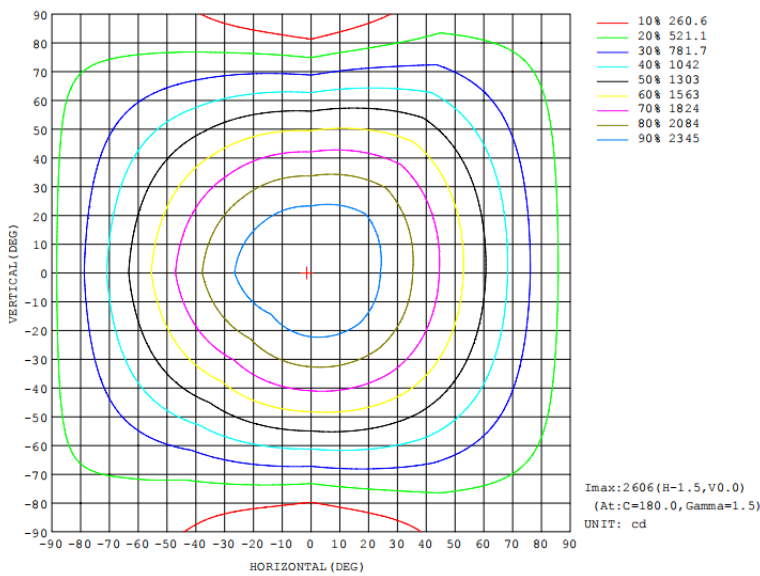
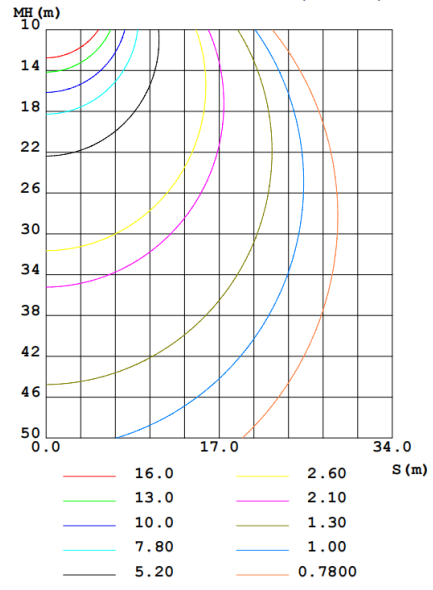
Housing:	Plastic and aluminum
IP degree	IP 65
IK degree	IK 08

Optical imagery

LUMINOUS INTENSITY DISTRIBUTION DIAGRAM



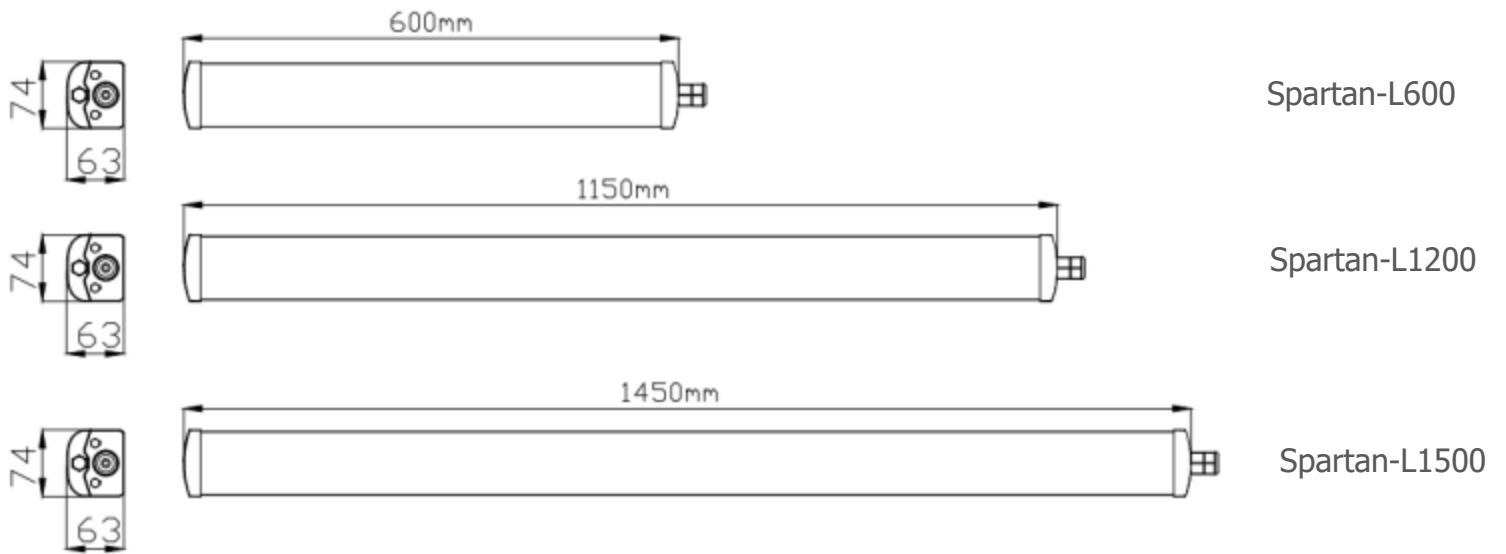
C0 PLANE ISOLUX DIAGRAM (UNIT:lx)



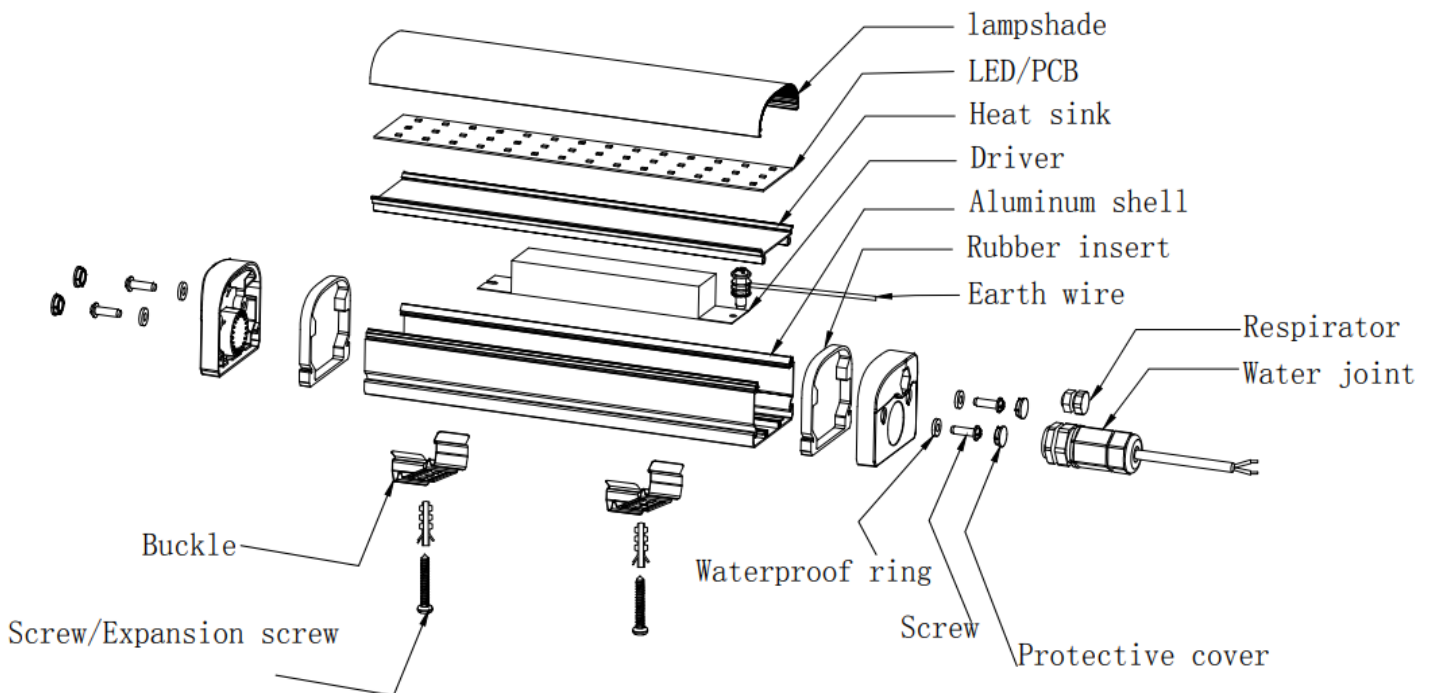
Specification

Model	Spartan-L600	Spartan-L1200	Spartan-L1200	Spartan-L1500
Power (W)	20W	40W	50/60W	60/80W
Input Voltage(V)	220-240VAC			
PF	>0.9			
CRI	Ra80			
Efficacy (lm/W)±5%	145-160lm/W			
LumenOutput±5%	3200	6400	8000/9600	9000/11600
Warranty	5Years			
Color temperature(K)	3000K~6500K			
Operating Temperature	-20°C to 50°C			
LED Type	SMD 2835			
Certification	CE RoHS			

Product Dimensions



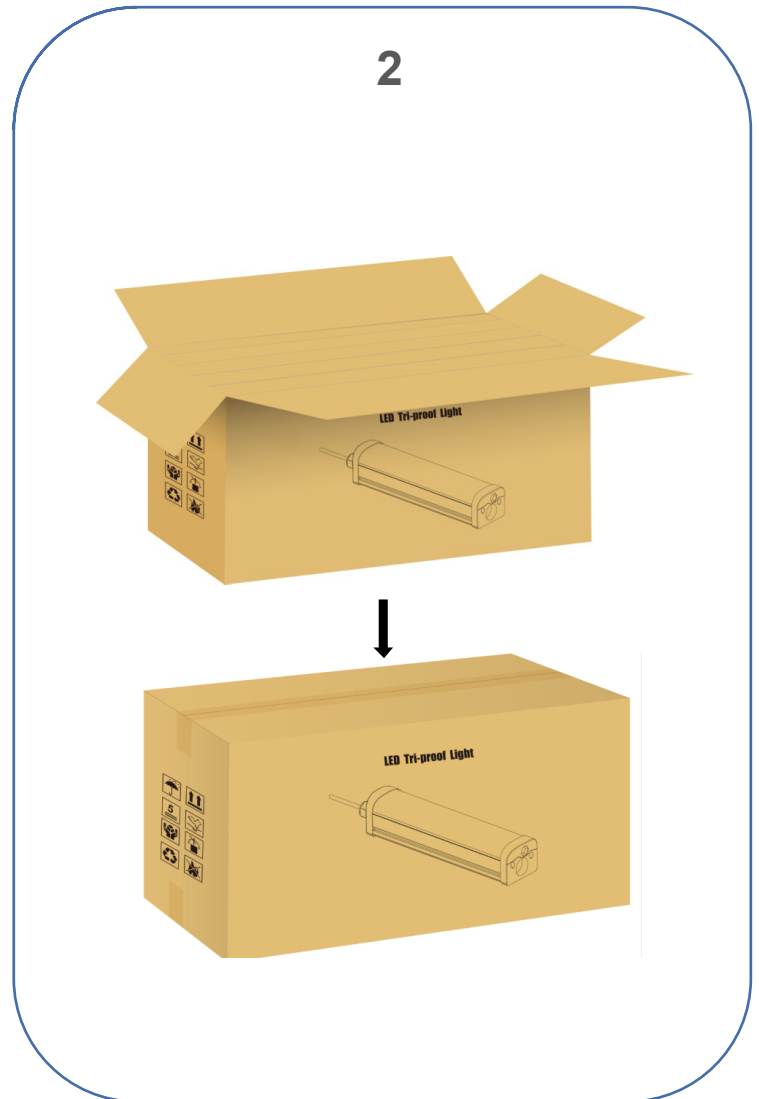
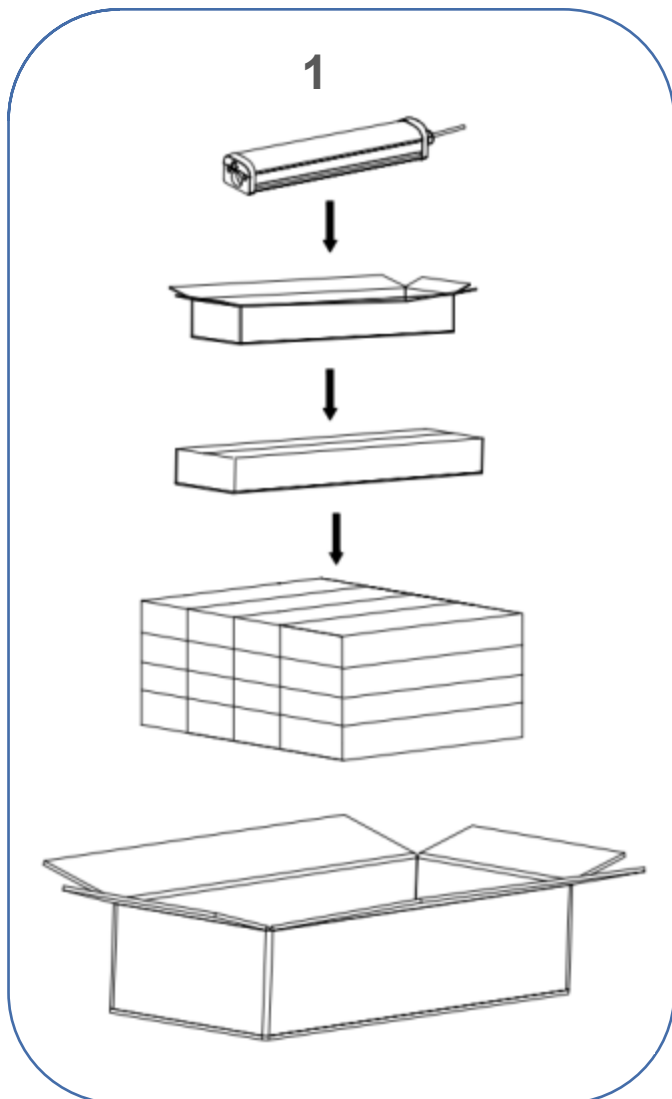
Product structure diagram



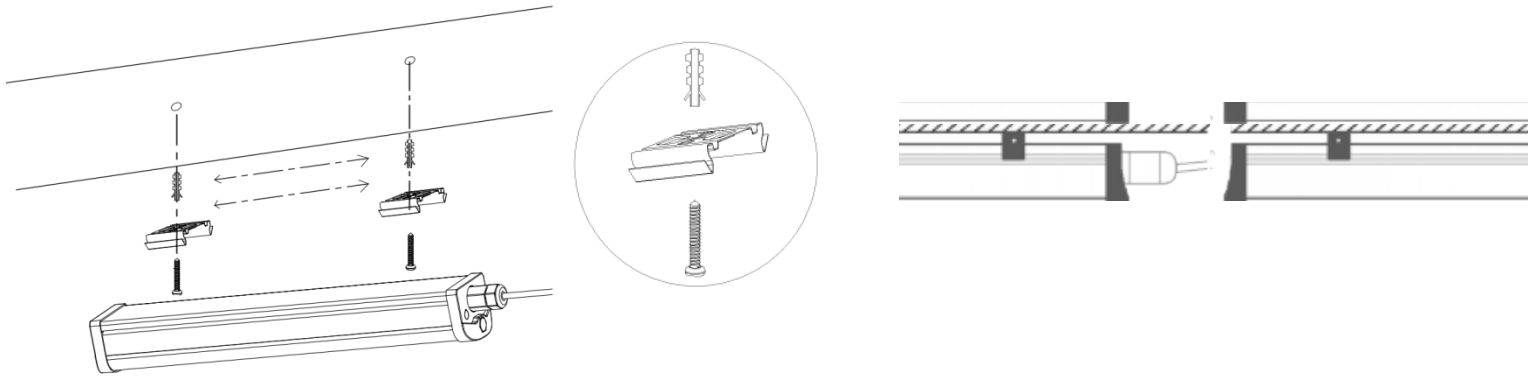
Packaging Dimension

Model	Power (W)	Carton Size		Quantity	G.W / 1PCS
Spartan-L600	20W	Inner Boxes	L650* W80 * H68mm	1	0.93
		Outer Cartons	L670 * W345 * H295mm	16	15.6
Spartan-L1200	60W	Inner Boxes	L1200* W80 * H68mm	1	1.725
		Outer Cartons	L1220 * W345 * H225mm	12	21.7
Spartan-L1800	80W	Inner Boxes	1500 * W80 * H68mm	1	2.16
		Outer Cartons	L1520* W260 * H225mm	9	20.8

Packaging diagram

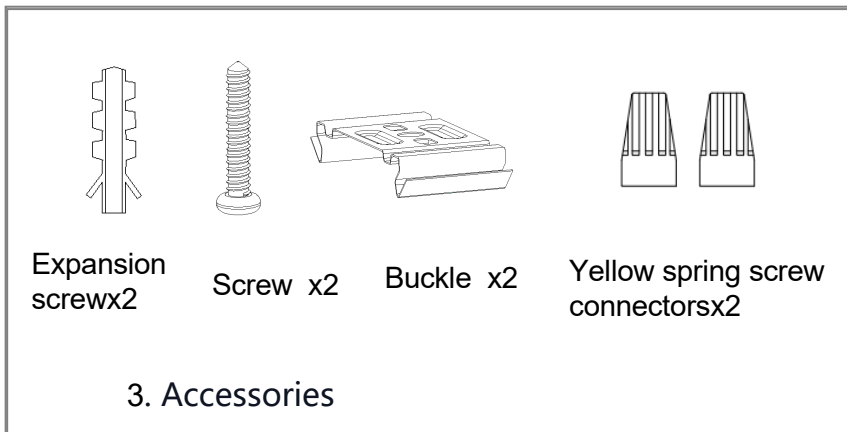


Installation method 1 Ceiling type Serial link



1. Power Off, Fasten the buckle with screws and Expansion screws ,two mounting buckles need to be installed in parallel with Mounting location

2. Align the lamp with the buckle and press lightly until it snaps into the concave. processing circuit and power on to use



Installation method 2



Number of series:

0.6L ≤ 18 PCS

1.2L ≤ 9 PCS

1.5L ≤ 6 PCS

Cautions:

Before installation, be sure to cut off electricity to avoid electric shock. This is one end wiring LED Tri-proof light with build-in driver. Powered by the voltage labeled on the LED Tri-proof light , no need to add other drivers.

Do not immerse the product in water and do not use it in water .

The number of series should not exceed the specified number of connections.