

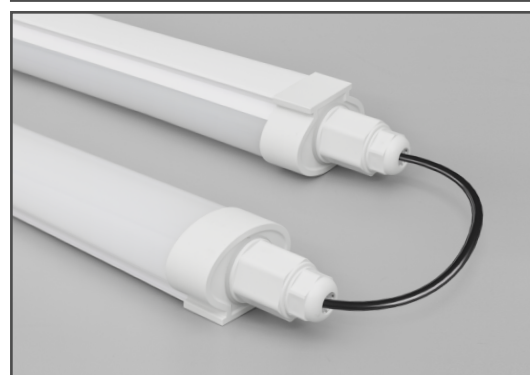
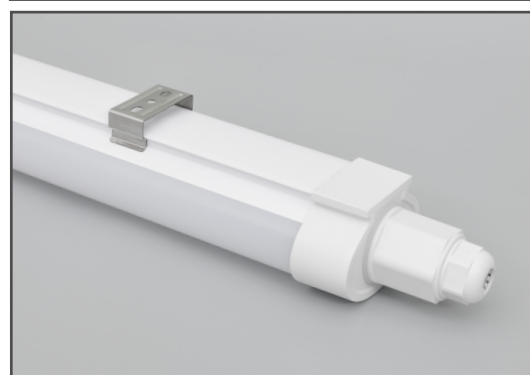
LED Tri-proof Light

Yankee-L600-18W-D2



140lm/W

- An IP65 waterproof LED light.
- 140lm/W
- Integrates PC cover with light diffusing agent and colored PC housing.
- Housing caps sealed by silicon rubber gasket.
- Adopt male and female quick connector, making the wiring easier.
- Can be applied in wet interior, dusty place and outdoor places such as Cellars Sheds Plant rooms Warehouses Open and closed parking areas Workstations Corridors etc.



Specification | Technical & Product Data:

| | |
|----------------------|-------------------|
| LED TYPE | SMD 2835 |
| Wattage | 18 W |
| Frequency | 50-60 HZ |
| Power Factor | >0.9 |
| Light color | Natural white |
| Color Temperature | 4000 K |
| SDCM | <5 |
| Light efficiency | typ. 140 lm/W |
| Luminous flux | typ. 2520 lm |
| CRI | >80 |
| Size | 600 * 70 * 50 mm |
| Lifespan L80/B10 | 50000 hrs at 25 C |
| IP rate | IP65 |
| ON/Offcycles | >30000 |
| Working conditions | -20 C - 45 C |
| Material | PC |
| Body Color | White |
| Certification | CE ERP RoHS |
| Type of light source | D |
| Warranty | 5 Years |

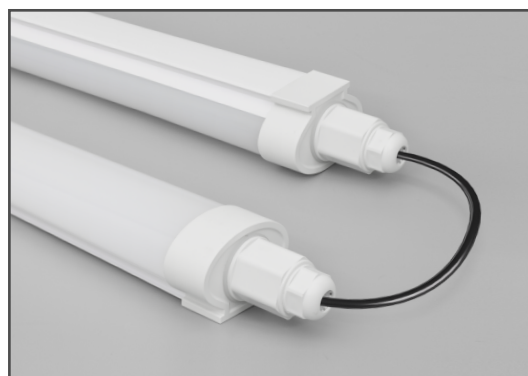
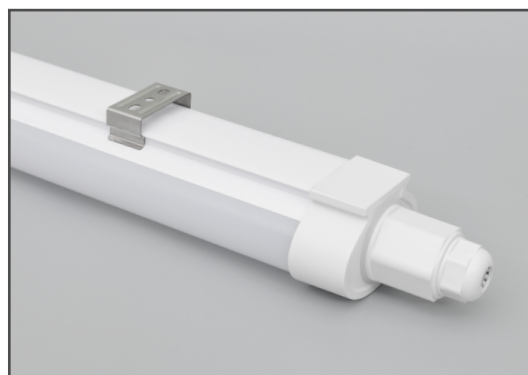
IP65 IK08 CE RoHS

LED Tri-proof Light Yankee-L1200-30W-C1

- An IP65 waterproof LED light.
- 140lm/W
- Integrates PC cover with light diffusing agent and colored PC housing.
- Housing caps sealed by silicon rubber gasket.
- Adopt male and female quick connector, making the wiring easier.
- Can be applied in wet interior, dusty place and outdoor places such as Cellars Sheds Plant rooms Warehouses Open and closed parking areas Workstations Corridors etc.



140lm/W



Specification | Technical & Product Data:

| | |
|----------------------|-------------------|
| LED TYPE | SMD 2835 |
| Wattage | 30 W |
| Frequency | 50-60 HZ |
| Power Factor | >0.9 |
| Light color | Natural white |
| Color Temperature | 4000 K |
| SDCM | <5 |
| Light efficiency | typ. 140 lm/W |
| Luminous flux | typ. 4200 lm |
| CRI | >80 |
| Size | 1235 * 60 * 52mm |
| Lifespan L80/B10 | 50000 hrs at 25 C |
| IP rate | IP65 |
| ON/O ffcycles | >30000 |
| Working conditions | -20 C - 45 C |
| Material | PC |
| Body Color | White |
| Certification | CE ERP RoHS |
| Type of light source | D |
| Warranty | 5 Years |

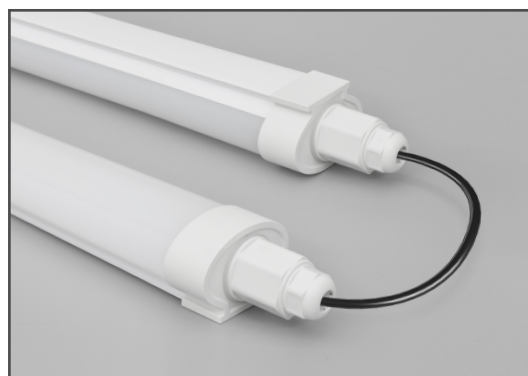
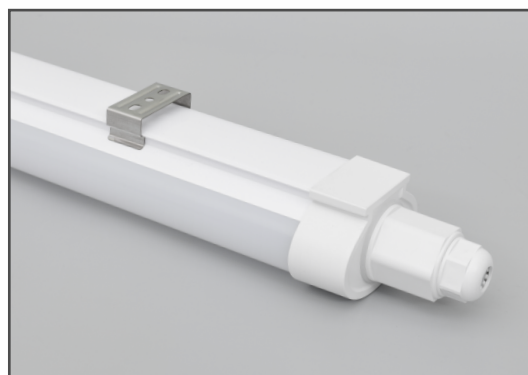
IP65 IK08 CE 

LED Tri-proof Light Yankee-L1200-30W-C2

- An IP65 waterproof LED light.
- 140lm/W
- Integrates PC cover with light diffusing agent and colored PC housing.
- Housing caps sealed by silicon rubber gasket.
- Adopt male and female quick connector, making the wiring easier.
- Can be applied in wet interior, dusty place and outdoor places such as Cellars Sheds Plant rooms Warehouses Open and closed parking areas Workstations Corridors etc.



140lm/W



Specification | Technical & Product Data:

| | |
|----------------------|-------------------|
| LED TYPE | SMD 2835 |
| Wattage | 30 W |
| Frequency | 50-60 HZ |
| Power Factor | >0.9 |
| Light color | Natural white |
| Color Temperature | 4000 K |
| SDCM | <5 |
| Light efficiency | typ. 140 lm/W |
| Luminous flux | typ. 4200 lm |
| CRI | >80 |
| Size | 1235 * 60 * 52mm |
| Lifespan L80/B10 | 50000 hrs at 25 C |
| IP rate | IP65 |
| ON/O ffcycles | >30000 |
| Working conditions | -20 C - 45 C |
| Material | PC |
| Body Color | White |
| Certification | CE ERP RoHS |
| Type of light source | D |
| Warranty | 5 Years |

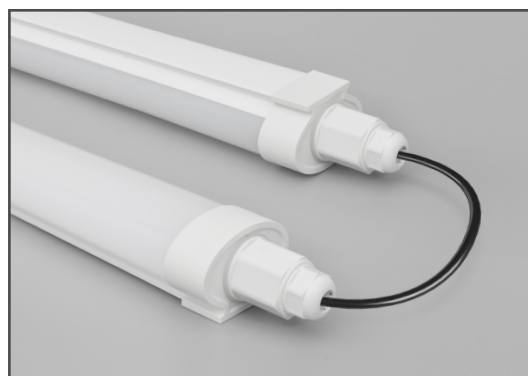
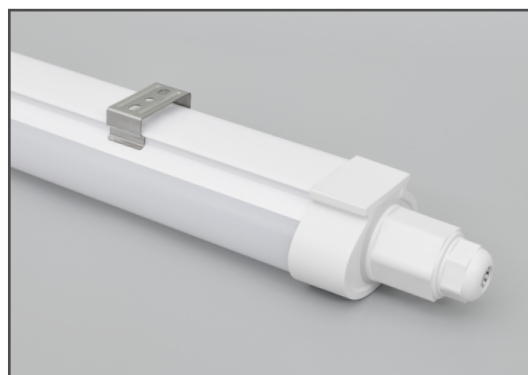
IP65 IK08 CE 

LED Tri-proof Light Yankee-L1200-36W-D2

- An IP65 waterproof LED light.
- 140lm/W
- Integrates PC cover with light diffusing agent and colored PC housing.
- Housing caps sealed by silicon rubber gasket.
- Adopt male and female quick connector, making the wiring easier.
- Can be applied in wet interior, dusty place and outdoor places such as Cellars Sheds Plant rooms Warehouses Open and closed parking areas Workstations Corridors etc.



140lm/W



Specification | Technical & Product Data:

| | |
|----------------------|-------------------|
| LED TYPE | SMD 2835 |
| Wattage | 36 W |
| Frequency | 50-60 HZ |
| Power Factor | >0.9 |
| Light color | Natural white |
| Color Temperature | 4000 K |
| SDCM | <5 |
| Light efficiency | typ. 140 lm/W |
| Luminous flux | typ. 5040 lm |
| CRI | >80 |
| Size | 1200 * 70 * 50 mm |
| Lifespan L80/B10 | 50000 hrs at 25 C |
| IP rate | IP65 |
| ON/O ffcycles | >30000 |
| Working conditions | -20 C - 45 C |
| Material | PC |
| Body Color | White |
| Certification | CE ERP RoHS |
| Type of light source | D |
| Warranty | 5 Years |

IP65 IK08 CE 

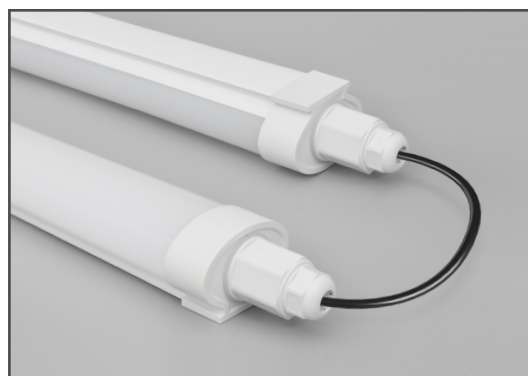
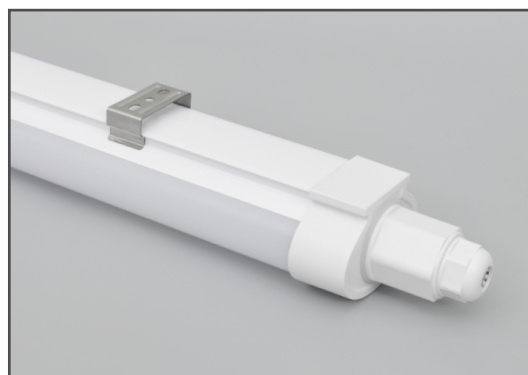
LED Tri-proof Light

Yankee-L1500-40W-C1



140lm/W

- An IP65 waterproof LED light.
- 140lm/W
- Integrates PC cover with light diffusing agent and colored PC housing.
- Housing caps sealed by silicon rubber gasket.
- Adopt male and female quick connector, making the wiring easier.
- Can be applied in wet interior, dusty place and outdoor places such as Cellars Sheds Plant rooms Warehouses Open and closed parking areas Workstations Corridors etc.



Specification | Technical & Product Data:

| | |
|----------------------|-------------------|
| LED TYPE | SMD 2835 |
| Wattage | 40 W |
| Frequency | 50-60 HZ |
| Power Factor | >0.9 |
| Light color | Natural white |
| Color Temperature | 4000 K |
| SDCM | <5 |
| Light efficiency | typ. 140 lm/W |
| Luminous flux | typ. 5600 lm |
| CRI | >80 |
| Size | 1515 * 60 * 52mm |
| Lifespan L80/B10 | 50000 hrs at 25 C |
| IP rate | IP65 |
| ON/O ffcycles | >30000 |
| Working conditions | -20 C - 45 C |
| Material | PC |
| Body Color | White |
| Certification | CE ERP RoHS |
| Type of light source | D |
| Warranty | 5 Years |

IP65 IK08 CE 

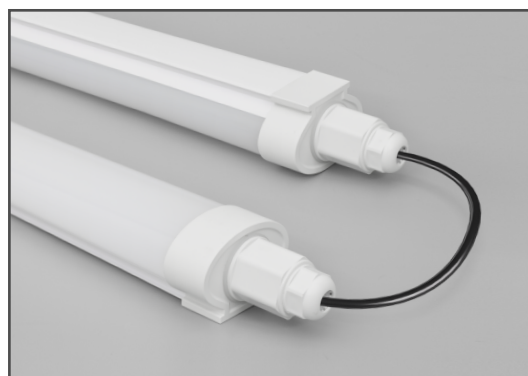
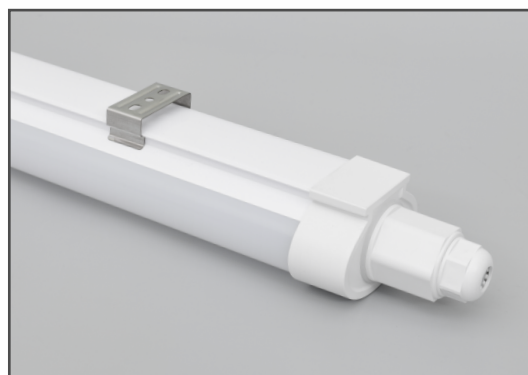
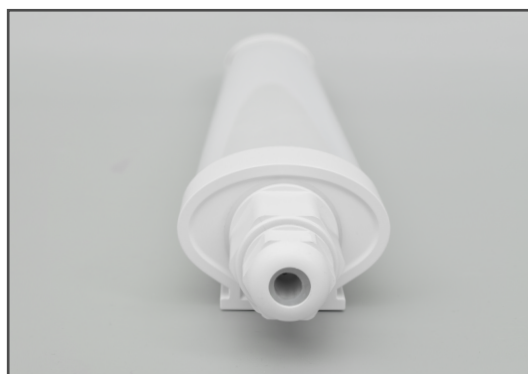
LED Tri-proof Light

Yankee-L1500-40W-C2



140lm/W

- An IP65 waterproof LED light.
- 140lm/W
- Integrates PC cover with light diffusing agent and colored PC housing.
- Housing caps sealed by silicon rubber gasket.
- Adopt male and female quick connector, making the wiring easier.
- Can be applied in wet interior, dusty place and outdoor places such as Cellars Sheds Plant rooms Warehouses Open and closed parking areas Workstations Corridors etc.



Specification | Technical & Product Data:

| | |
|----------------------|-------------------|
| LED TYPE | SMD 2835 |
| Wattage | 40 W |
| Frequency | 50-60 HZ |
| Power Factor | >0.9 |
| Light color | Natural white |
| Color Temperature | 4000 K |
| SDCM | <5 |
| Light efficiency | typ. 140 lm/W |
| Luminous flux | typ. 5600 lm |
| CRI | >80 |
| Size | 1515 * 60 * 52mm |
| Lifespan L80/B10 | 50000 hrs at 25 C |
| IP rate | IP65 |
| ON/O ffcycles | >30000 |
| Working conditions | -20 C - 45 C |
| Material | PC |
| Body Color | White |
| Certification | CE ERP RoHS |
| Type of light source | D |
| Warranty | 5 Years |

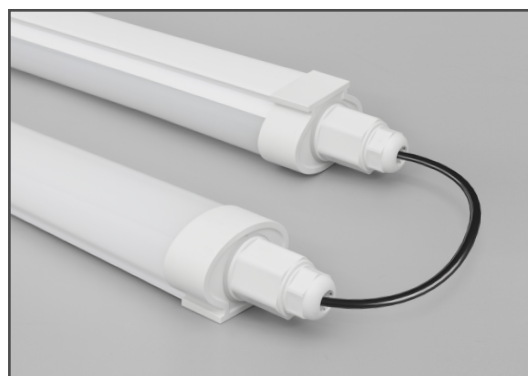
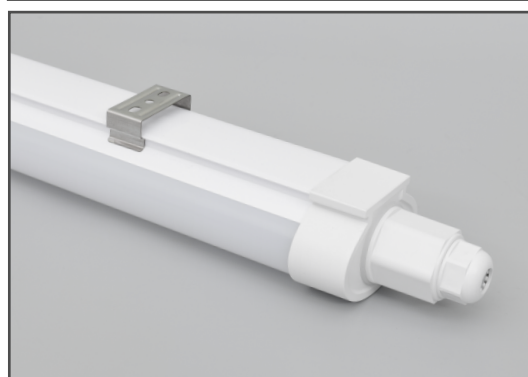
IP65 IK08 CE 

LED Tri-proof Light Yankee-L1500-50W-D2

- An IP65 waterproof LED light.
- 140lm/W
- Integrates PC cover with light diffusing agent and colored PC housing.
- Housing caps sealed by silicon rubber gasket.
- Adopt male and female quick connector, making the wiring easier.
- Can be applied in wet interior, dusty place and outdoor places such as Cellars Sheds Plant rooms Warehouses Open and closed parking areas Workstations Corridors etc.



140lm/W



Specification | Technical & Product Data:

| | |
|----------------------|-------------------|
| LED TYPE | SMD 2835 |
| Wattage | 50 W |
| Frequency | 50-60 HZ |
| Power Factor | >0.9 |
| Light color | Natural white |
| Color Temperature | 4000 K |
| SDCM | <5 |
| Light efficiency | typ. 140 lm/W |
| Luminous flux | typ. 7000 lm |
| CRI | >80 |
| Size | 1500 * 70 * 50 mm |
| Lifespan L80/B10 | 50000 hrs at 25 C |
| IP rate | IP65 |
| ON/O ffcycles | >30000 |
| Working conditions | -20 C - 45 C |
| Material | PC |
| Body Color | White |
| Certification | CE ERP RoHS |
| Type of light source | D |
| Warranty | 5 Years |

IP65 IK08 CE 

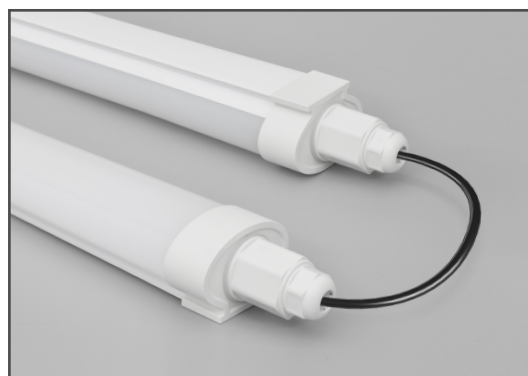
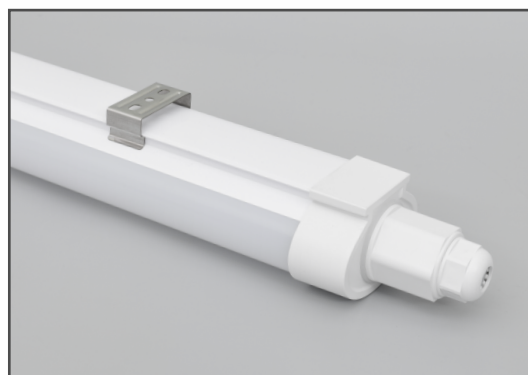
LED Tri-proof Light

Yankee-L1500-70W-D2



140lm/W

- An IP65 waterproof LED light.
- 140lm/W
- Integrates PC cover with light diffusing agent and colored PC housing.
- Housing caps sealed by silicon rubber gasket.
- Adopt male and female quick connector, making the wiring easier.
- Can be applied in wet interior, dusty place and outdoor places such as Cellars Sheds Plant rooms Warehouses Open and closed parking areas Workstations Corridors etc.



Specification | Technical & Product Data:

| | |
|----------------------|-------------------|
| LED TYPE | SMD 2835 |
| Wattage | 70 W |
| Frequency | 50-60 HZ |
| Power Factor | >0.9 |
| Light color | Natural white |
| Color Temperature | 4000 K |
| SDCM | <5 |
| Light efficiency | typ. 140 lm/W |
| Luminous flux | typ. 9800 lm |
| CRI | >80 |
| Size | 1500 * 70 * 50 mm |
| Lifespan L80/B10 | 50000 hrs at 25 C |
| IP rate | IP65 |
| ON/O ffcycles | >30000 |
| Working conditions | -20 C - 45 C |
| Material | PC |
| Body Color | White |
| Certification | CE ERP RoHS |
| Type of light source | D |
| Warranty | 5 Years |

IP65 IK08 CE 